



Home Generator Systems

Installation & Start-Up Manual



Home Generator System

Manual No. 202826GS Rev. D (05/02/2008)

Thank you for purchasing this quality-built Briggs & Stratton home generator. We're pleased that you've placed your confidence in the Briggs & Stratton brand. When operated and maintained according to the instructions in the operator's manual, your Briggs & Stratton home generator will provide many years of dependable service.

This manual contains safety information to make you aware of the hazards and risks associated with home generator systems and how to avoid them. This home generator system is designed and intended only for use as an optional home standby system that provides an alternate source of electric power and to serve loads such as heating, refrigeration systems, and communication systems that, when stopped during any power outage, could cause discomfort or inconvenience. This product is not intended for any other purpose and does not qualify for emergency standby as defined by NFPA 70 (NEC).

This home generator requires professional installation before use. This installation manual provides full information. Follow the instructions completely. **Save these instructions for future reference.**

Where to Find Us

You never have to look far to find Briggs & Stratton support and service for your generator. Consult your Yellow Pages. There are over 30,000 Briggs & Stratton authorized service dealers worldwide who provide quality service. You can also contact Briggs & Stratton Customer Service by phone at **(800) 743-4115**, or use the Service Center Locator at BRIGGSandSTRATTON.COM, which provides a list of Briggs & Stratton Authorized Dealers.

Date of Purchase

Generator

Model Number

Model Revision

Serial Number

Engine

Model Number

Briggs & Stratton Power Products Group, LLC
900 North Parkway
Jefferson, WI 53549

Copyright © 2008 Briggs & Stratton Power Products Group, LLC.
All rights reserved. No part of this material may be reproduced or transmitted in any form by any means without the express written permission of Briggs & Stratton Power Products Group, LLC.

Table of Contents

Safety Rules	4
Installation	6
Installer Responsibilities	7
Delivery Inspection	7
Shipment Contents	7
Access Doors	10
The Gaseous Fuel System	10
Fuel Consumption	12
Fuel Pipe Sizing	12
Required Propane Tank Size	12
System Connectors	13
Generator AC Connection System	14
Grounding the Generator	14
Utility Circuit Connection	14
Transfer Switch Communication	14
Fault Detection System	14
System Control Panel	15
Final Installation Considerations	15
Fuel Supply System	15
Initial Start-up (No Load)	16
Engine Adjustment	16
Schematic	18
Wiring Diagram	19
Controls	20
Operation	20
Automatic Operation Sequence	20
Setting Exercise Timer	20
Installation Inspection	20

Safety

Installation

Controls

Operation

Save These Instructions

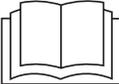
Safety Rules

The safety alert symbol (▲) is used with a signal word (DANGER, CAUTION, WARNING), a pictorial and/or a safety message to alert you to hazards. **DANGER** indicates a hazard which, if not avoided, will result in death or serious injury. **WARNING** indicates a hazard which, if not avoided, could result in death or serious injury. **CAUTION** indicates a hazard which, if not avoided, might result in minor or moderate injury. **NOTICE** indicates a situation that could result in equipment damage. Follow safety messages to avoid or reduce the risk of injury or death.

This manual contains installation, startup and adjustment instructions for a home generator that supplies 120/240 Volt, single phase, 60Hz devices. The home generator may be operated on LP vapor or natural gas fuel, depending on the engine installed. A separate operator's manual (part number 202827GS) contains operating and maintenance instructions for this model.

Every effort has been made to ensure that the information in this manual is both accurate and current. However, the manufacturer reserves the right to change, alter or otherwise improve the system at any time without prior notice.

Hazard Symbols and Meanings

		
Explosion	Fire	Electrical Shock
		
Toxic Fumes	Rotating Parts	Hot Surface
		
Auto Start	Explosive Pressure	Chemical Burn
		
Lift Hazard	Read Manual	

▲ WARNING	
  	<p>Storage batteries give off explosive hydrogen gas during recharging. Slightest spark will ignite hydrogen and cause explosion.</p> <p>Battery electrolyte fluid contains acid and is extremely caustic.</p> <p>Contact with battery contents will cause severe chemical burns.</p> <p>A battery presents a risk of electrical shock and high short circuit current.</p>
<ul style="list-style-type: none"> • DO NOT dispose of battery in a fire. • DO NOT allow any open flame, spark, heat, or lit cigarette during and for several minutes after charging a battery. • DO NOT open or mutilate the battery. • Wear protective goggles, rubber apron, and rubber gloves. • Remove watches, rings, or other metal objects. • Use tools with insulated handles. 	

▲ WARNING	
	<p>Running engine gives off carbon monoxide, an odorless, colorless, poison gas. Breathing carbon monoxide can cause headache, fatigue, dizziness, vomiting, confusion, seizures, nausea, fainting or death.</p>
<ul style="list-style-type: none"> • Operate generator ONLY outdoors. • Install a battery operated carbon monoxide alarm near the bedrooms. • Keep exhaust gas from entering a confined area through windows, doors, ventilation intakes, or other openings. 	

▲ WARNING	
<p>The engine exhaust from this product contains chemicals known to the State of California to cause cancer, birth defects, or other reproductive harm.</p>	

▲ WARNING	
<p>Certain components in this product and related accessories contain chemicals known to the State of California to cause cancer, birth defects, or other reproductive harm. Wash hands after handling.</p>	

 WARNING	
	<p>Generator produces hazardous voltage. Failure to properly ground generator can result in electrocution. Failure to isolate generator from power utility can result in death or injury to electric utility workers due to backfeed of electrical energy.</p>
<ul style="list-style-type: none"> • When using generator for backup power, notify utility company. • DO NOT touch bare wires or receptacles. • DO NOT use generator with electrical cords which are worn, frayed, bare or otherwise damaged. • DO NOT handle generator or electrical cords while standing in water, while barefoot, or while hands or feet are wet. • If you must work around a unit while it is operating, stand on an insulated dry surface to reduce shock hazard. • DO NOT allow unqualified persons or children to operate or service generator. • In case of an accident caused by electrical shock, immediately shut down the source of electrical power and contact the local authorities. Avoid direct contact with the victim. • Despite the safe design of the home generator, operating this equipment imprudently, neglecting its maintenance or being careless can cause possible injury or death. • Remain alert at all times while working on this equipment. Never work on the equipment when you are physically or mentally fatigued. • Before performing any maintenance on the generator, disconnect the battery cable indicated by a NEGATIVE, NEG or (-) first. When finished, reconnect that cable last. • After your home generator is installed, the generator may crank and start without warning any time there is a power failure. To prevent possible injury, always set the generator's system switch to OFF, remove the service disconnect from the disconnect box AND remove the 15 Amp fuse BEFORE working on the equipment. 	

 WARNING	
 	<p>Propane and Natural Gas are extremely flammable and explosive. Fire or explosion can cause severe burns or death.</p>
<ul style="list-style-type: none"> • Install the fuel supply system according to applicable fuel-gas codes. • Before placing the home generator into service, the fuel system lines must be properly purged and leak tested. • After the generator is installed, you should inspect the fuel system periodically. • NO leakage is permitted. • DO NOT operate engine if smell of fuel is present or other explosive conditions exist. • DO NOT smoke around the generator. Wipe up any oil spills immediately. Ensure that no combustible materials are left in the generator compartment. Keep the area near the generator clean and free of debris. 	

 WARNING	
 	<p>Hazardous Voltage Contact with power lines can cause electric shock or burn. Lifting Hazard / Heavy Object Can cause muscle strain or back injury.</p>
<ul style="list-style-type: none"> • If lifting or hoisting equipment is used, DO NOT contact any power lines. • DO NOT lift or move generator without assistance. • Use lifting pipes as described in <i>Lifting the Generator</i>. The unit may shift on the lifting pipes during movement, which can cause injury. • DO NOT lift unit by roof as damage to generator will occur. 	

 WARNING	
	Contact with muffler area can result in serious burns.
	Exhaust heat/gases can ignite combustibles or structures causing a fire.
<ul style="list-style-type: none"> DO NOT touch hot parts and AVOID hot exhaust gases. Allow equipment to cool before touching. DO NOT install the generator closer than 5 feet (1.5m) from any combustibles or structures with combustible walls having a fire resistance rating of less than 1 hour. Keep at least minimum distances shown in <i>General Location Guidelines</i> to insure for proper generator cooling and maintenance clearances. Code of Federal Regulation (CFR) Title 36 Parks, Forests, and Public Property require equipment powered by an internal combustion engine to have a spark arrester, maintained in effective working order, complying to USDA Forest service standard 5100-1C or later revision. In the State of California a spark arrester is required under section 4442 of the California Public resources code. Other states may have similar laws. 	

 WARNING	
	Starter and other rotating parts can entangle hands, hair, clothing, or accessories.
<ul style="list-style-type: none"> NEVER operate generator without protective housing or covers. DO NOT wear loose clothing, jewelry or anything that may be caught in the starter or other rotating parts. Tie up long hair and remove jewelry. 	

 CAUTION	
	Installing the 15A fuse could cause the engine to start.
<ul style="list-style-type: none"> Observe that the 15 Amp fuse has been removed from the control panel for shipping. DO NOT install this fuse until all plumbing and wiring has been completed and inspected. 	

 CAUTION	
Excessively high operating speeds increase risk of injury and damage to generator.	
Excessively low speeds impose a heavy load.	
<ul style="list-style-type: none"> DO NOT tamper with governed speed. Generator supplies correct rated frequency and voltage when running at governed speed. DO NOT modify generator in any way. 	

NOTICE	
Exceeding generators wattage/amperage capacity can damage generator and/or electrical devices connected to it.	
<ul style="list-style-type: none"> See <i>Essential Circuits</i> in Operator's manual. Start generator and let engine stabilize before connecting electrical loads. 	

NOTICE	
Improper treatment of generator can damage it and shorten its life.	
<ul style="list-style-type: none"> Use generator only for intended uses. If you have questions about intended use, ask dealer or contact Briggs and Stratton. Operate generator only on level surfaces. Adequate, unobstructed flow of cooling and ventilating air is critical to correct generator operation. The Oil Fill, Oil Drain and the Control Panel doors must be installed whenever the unit is running. DO NOT expose generator to excessive moisture, dust, dirt, or corrosive vapors. Despite the safe design of the home generator, operating this equipment imprudently, neglecting its maintenance or being careless can cause possible injury or death. Remain alert at all times while working on this equipment. NEVER work on the equipment when you are physically or mentally fatigued. DO NOT start engine with air cleaner or air cleaner cover removed. DO NOT insert any objects through cooling slots. DO NOT use the generator or any of its parts as a step. Stepping on the unit can cause stress and break parts. This may result in dangerous operating conditions from leaking exhaust gases, fuel leakage, oil leakage, etc. If connected devices overheat, turn them off and disconnect them from generator. Shut off generator if: <ul style="list-style-type: none"> -electrical output is lost; -equipment sparks, smokes, or emits flames; -unit vibrates excessively. 	

Installation

Equipment Description

This product is intended for use as an optional home generator system which provides an alternate source of electric power and to serve loads such as heating, refrigeration systems, and communication systems that, when stopped during any power outage, could cause discomfort or inconvenience. This product does not qualify for emergency standby as defined by NFPA 70 (NEC).

Customer Responsibilities

- Read and follow the instructions given in the Operator's Manual, especially the section regarding selecting essential circuits.
- Follow a regular schedule in maintaining, caring for and using your home generator, as specified in the Operator's Manual.

Installer Responsibilities

- Read and observe the safety rules.
- Install only an UL approved transfer switches that is compatible with the home generator.
- Read and follow the instructions given in this Installation and Start-up Manual.

IMPORTANT: If operating the generator below 40°F, it is recommended that a battery and oil warmer be installed. If operating the generator below 32°F, a battery and oil warmer must be installed. Both items are available at your local servicing dealer.

Unpacking Precautions

The unit is shipped bolted to its mounting pad, ready for installation. Avoid damage from dropping, bumping, collision, etc. Store and unpack carton with the proper side up, as noted on the shipping carton.

 CAUTION	
	Installing the 15A fuse could cause the engine to start.
<ul style="list-style-type: none">• Observe that the 15 Amp fuse has been removed from the control panel for shipping.• DO NOT install this fuse until all plumbing and wiring has been completed and inspected.	

Installation

Delivery Inspection

After removing the carton, carefully inspect the home generator for any damage that may have occurred during shipment.

IMPORTANT: If loss or damage is noted at time of delivery, have the person(s) making delivery note all damage on the freight bill and affix his signature under the consignor's memo of loss or damage. If loss or damage is noted after delivery, separate the damaged materials and contact the carrier for claim procedures. Missing or damaged parts are not warranted.

Shipment Contents

The home generator is supplied with:

- Home generator
- Pre-attached mounting pad
- UL569/CSA8.3-listed flexible fuel hook-up
- This installation and start-up manual
- Operator's manual
- Illustrated parts list manual
- Installation checklist
- Two access door keys
- Four lifting hole plugs
- Oil fill spout
- One spare 15A fuse
- 2 Pole connector - 240V from house
- 10 Pole connector - Sensing and control wires
- Air intake engine cover
- Alternator cover
- Remote LED indicator kit (red LED/plate/screws)

Required Specialty Tools/Equipment

- Two 48" lengths of 1" pipe (NOT conduit)
- Hole punches for 16ga steel
- Torque screwdriver, 5 to 50 inch-pound range

Home Generator Location

Before installing generator, consult with homeowner and convey the following guidelines which may affect the desired location.

⚠ WARNING	
	Exhaust heat/gases can ignite combustibles or structures causing a fire.
<ul style="list-style-type: none"> • DO NOT install the generator closer than 5 feet (1.5m) from any combustibles or structures with combustible walls having a fire resistance rating of less than 1 hour. • Keep at least minimum distances shown in <i>General Location Guidelines</i> in <i>Installation Manual</i> to insure for proper generator cooling and maintenance clearances. 	

Generator Location

Install generator outdoors in an area which will not accumulate deadly exhaust gas. DO NOT install generator where exhaust gas could accumulate and enter inside or be drawn into a potentially occupied building. Ensure exhaust gas is kept away from any windows, doors, ventilation intakes or other openings that can allow exhaust gas to collect in a confined area. Prevailing winds and air currents should be taken into consideration when positioning generator.

⚠ WARNING	
	Running engine gives off carbon monoxide, an odorless, colorless, poison gas. Breathing carbon monoxide can cause headache, fatigue, dizziness, vomiting, confusion, seizures, nausea, fainting, or death.
<ul style="list-style-type: none"> • Operate generator ONLY outdoors. • Install a battery operated carbon monoxide alarm near the bedrooms. • Keep exhaust gas from entering a confined area through windows, doors, ventilation intakes, or other openings. 	

General Location Guidelines

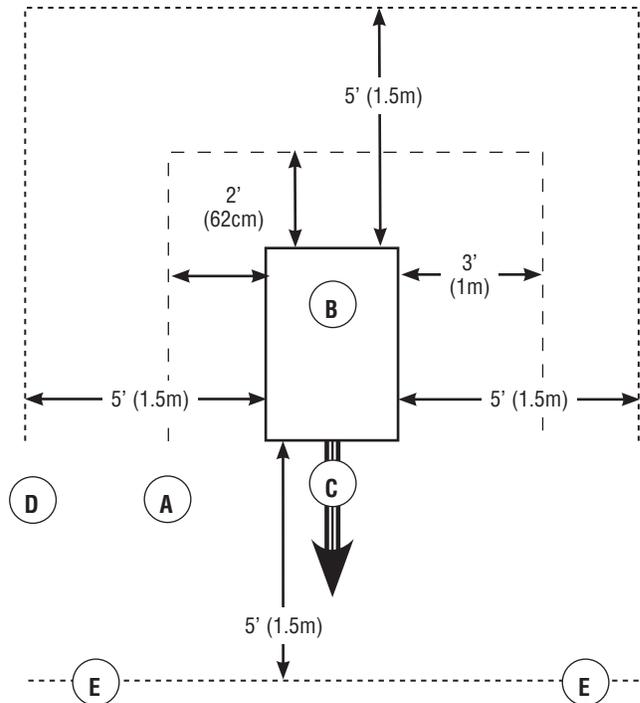
- Install the unit outdoors ONLY.
- Place the unit in a prepared location that is flat and has provisions for water drainage.
- Install the unit in a location where sump pump discharge, rain gutter down spouts, roof run-off, landscape irrigation, or water sprinklers will not flood the unit or spray the enclosure and enter any air inlet or outlet openings.
- Install the unit where the location of any services such as phone, electrical, fuel, air conditioning, irrigation, including covered, concealed and underground services will not be affected or obstructed.
- Install the unit where air inlet and outlet openings will not become obstructed by leaves, grass, snow, etc. If prevailing winds will cause blowing or drifting, you may need to construct a windbreak to protect the unit.

- Install the generator as close as possible to the Transfer Switch and fuel supply to reduce the length of wiring, conduit, and piping.

IMPORTANT: Laws or local codes may regulate the distance to the fuel supply.

The Minimum (**MIN**) clearances from aerial view of generator (**B**) to combustible (**D**), and non-combustible (**A**) materials is shown below.

- These distances are provided to give generator location guidance relative ONLY to combustibles, generator cooling, and maintenance.
- The minimum distances in the figure are as shown. All four sides of the generator cannot be enclosed or restricted, even if the minimum distances are maintained. DO NOT connect (**A**) and/or (**D**) to (**E**)
- A roof cannot be used.
- Exhaust (**C**) must not be allowed to accumulate.



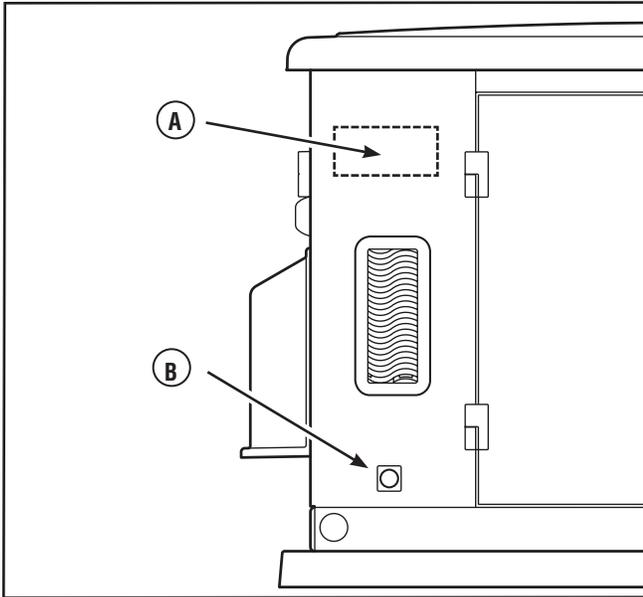
- A Non-Combustible material with Fire Resistant Rating of 1 hour or greater
- B Home Standby Generator
- C Engine Exhaust
- D Combustible Material or Structure with a Fire Resistance Rating of less than 1 hour.
- E Any structure or material. DO NOT connect (**A**) and/or (**D**) to (**E**).

The home generator is shipped already attached to its mounting pad. Unless mandated by local code, a concrete slab is not required.

If mandated by local code, construct a concrete slab at least 3 inches thick and 6 inches longer and wider than the unit. Attach unit to slab with 1/4" diameter (minimum) masonry anchor bolts long enough to retain the unit.

Fuel and Electrical Inlet Locations

The fuel inlet connector (B) is shown below. Also shown is the recommended location (A) for punching holes for attaching the power conduit.



Lifting the Generator

The generator weighs more than 650 pounds. Proper tools, equipment and qualified personnel should be used in all phases of handling and moving the generator.

WARNING



Hazardous Voltage

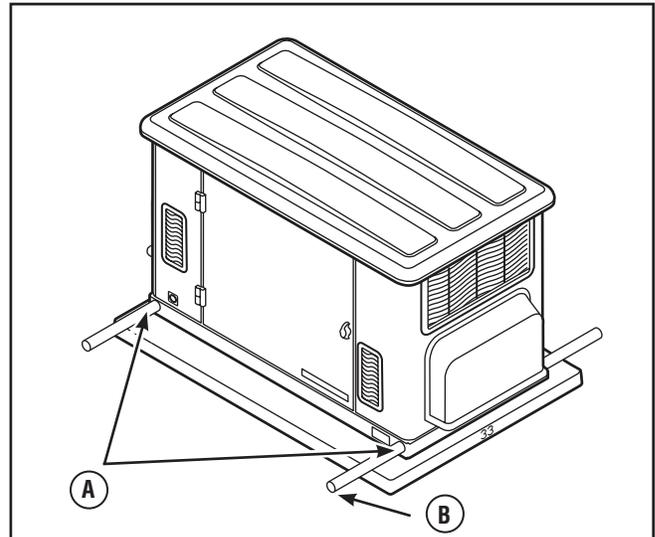
Contact with power lines can cause electric shock or burn.

Lifting Hazard / Heavy Object

Can cause muscle strain or back injury.

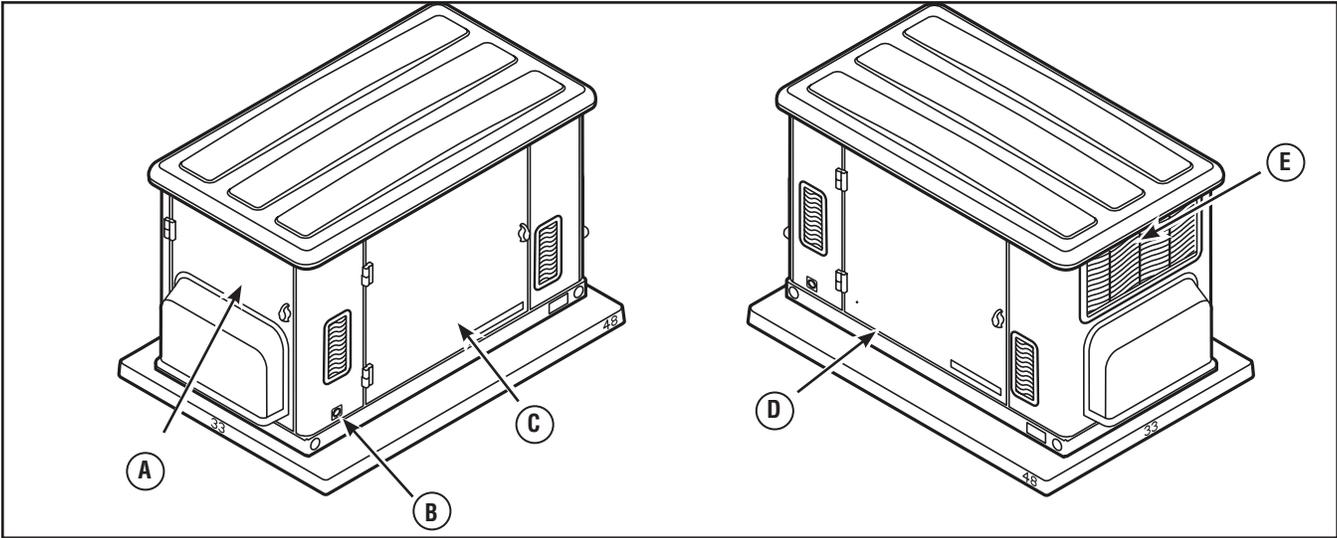
- If lifting or hoisting equipment is used, DO NOT contact any power lines.
- DO NOT lift or move generator without assistance.
- Use lifting pipes as described below.
- The unit may shift on the lifting pipes during movement, which can cause injury.
- DO NOT lift unit by roof as damage to generator will occur.

Two 48" lengths of 1" pipe (B), supplied by the installer, are required to lift the generator manually. Insert pipes through the lifting holes (A) located near the unit's base.



You may also lift the unit using a "hook and hoist" method attached to the lifting pipes, provided that you use a spreader bar to ensure that the chains or cables DO NOT touch the generator's roof.

After unit is in place, fill the lifting holes with the supplied lifting hole plugs.



Access Doors

The home generator is equipped with an enclosure that has three access doors, as shown above. The doors are named for a significant component located behind them, as follows:

- A Control Panel door
- B Fuel Inlet Port (shown for reference)
- C Oil Fill door
- D Oil Drain door
- E Exhaust Port (shown for reference)

⚠ WARNING	
	Contact with muffler area can result in serious burns.
<ul style="list-style-type: none"> DO NOT touch hot parts and AVOID hot exhaust gases. Allow equipment to cool before touching. 	

Each home generator is equipped with two identical keys. These keys fit the locks that secure the access doors.

To Open an Access Door:

1. Insert key into lock of access door you wish to open and turn one quarter turn counterclockwise.
2. Grasp door's handle and turn one quarter turn counterclockwise to open. Remove key.

To Close an Access Door:

1. Close door and turn doors handle one quarter of a turn clockwise.
2. Insert key into lock of access door and turn one quarter turn clockwise. Remove key.

The Gaseous Fuel System

⚠ WARNING	
	Propane and Natural Gas are extremely flammable and explosive.
	Fire or explosion can cause severe burns or death.
<ul style="list-style-type: none"> LP gas is heavier than air and will settle in low areas. Natural gas is lighter than air and will collect in high areas. The slightest spark can ignite these fuels and cause an explosion. DO NOT light a cigarette or smoke. 	

The information provided below is to assist gaseous fuel system technicians in planning installations. In no way should this information be interpreted to conflict with applicable fuel gas codes. Consult with your local fuel supplier or Fire Marshall if questions or problems arise.

TO THE INSTALLER: Consult with the home generator owner(s) and convey any technical considerations that might affect their installation plans before applying these general guidelines.

The following general rules apply to gaseous fuel system piping:

- The piping should be of a material that conforms to federal and local codes, rigidly mounted and protected against vibration.
- Piping should be protected from physical damage where it passes through flower beds, shrub beds, and other cultivated areas where damage could occur.

- Install the flexible, gaseous hose (supplied) between the home generator Fuel Inlet port and rigid piping to prevent thermal expansion or contraction from causing excessive stress on the piping material.

NOTE: Where local conditions include earthquake, tornado, unstable ground, or flood hazards, special consideration shall be given to increase strength and flexibility of piping supports and connections.

⚠ CAUTION	
The supplied flexible gaseous pipe is not to be installed underground or in contact with the ground.	
<ul style="list-style-type: none"> • The entire flexible gaseous pipe must be visible for periodic inspection and must not be concealed within, contact, or run through any wall, floor, or partition. 	

- Piping must be of the correct size to maintain the required supply pressures and volume flow under varying generator load conditions with all gas appliances connected to the fuel system turned on and operating.
- Use an approved pipe sealant or joint compound on all threaded fittings to reduce the possibility of leakage.
- Installed piping must be properly purged and leak tested, in accordance with applicable codes and standards.

⚠ WARNING	
	Propane and Natural Gas are extremely flammable and explosive.
	Fire or explosion can cause severe burns or death.
<ul style="list-style-type: none"> • Before placing the home generator into service, the fuel system lines must be properly purged and leak tested. • NO leakage is permitted. 	

Consider the following factors when planning to install the fuel supply system:

The home generator engine is fitted with a fuel mixer system that meets the specifications of the California Air Resources Board for “tamper-proof” fuel systems.

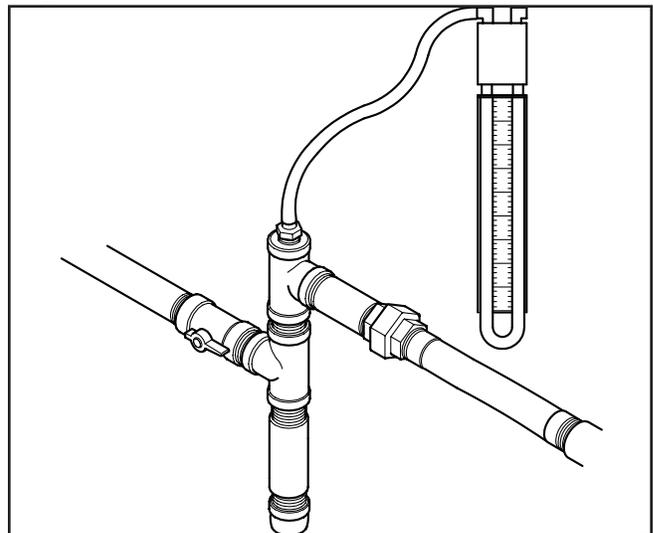
- A minimum of one accessible, approved manual shutoff valve shall be installed in the fuel supply line within 6 ft (1.8 m) of the home generator. A union or flanged connection shall be provided downstream from this valve to permit removal of controls.
- Natural gas fuel supply pressure at the generator’s fuel inlet port should be between 5 to 7 inches of water (in. W.C.) at full load.
- LP gas fuel supply pressure should be 11 to 14 inches of water (in. W.C.) at full load with all gas appliances turned on and operating.

The home generator unit has been factory set to run on natural gas or LP gas. The unit cannot be converted from natural gas to LP gas or vice versa.

It is recommended that the fuel connection incorporate the following components:

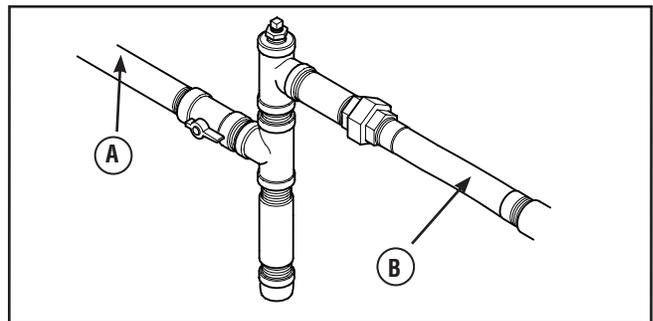
- A manual fuel shut-off valve located in the interior of the building.
- A manual fuel shut-off valve located outside the building, just before the generator unit.
- Where the formation of hydrates or ice is known to occur, piping should be protected against freezing. The termination of hard piping should include a sediment trap where condensate is not likely to freeze.
- A manometer port should be provided.

The manometer port permits temporary installation of a manometer to ensure that the engine receives the correct fuel pressure to operate efficiently throughout its operating range.



NOTE: A digital manometer, P/N 19495, is available at your local Briggs & Stratton service center.

When the initial test runs are completed, the manometer is removed and the port is plugged. A typical final fuel connection assembly is shown here, where (A) is the fuel supply and (B) goes to the home generator.



Fuel Consumption

Estimated fuel supply requirements at half and full load for natural gas and LP vapor fuels are shown below.

	Natural Gas		LP Vapor	
	1/2 Load	Full Load	1/2 Load	Full Load
18kW	160 C	293 C	N/A	N/A
	160,000 B	293,000 B	N/A	N/A
20kW	N/A	N/A	70.4 C	141.5 C
	N/A	N/A	176,825 B	353,650 B

C = Cubic feet per hour
B = BTU's per hour

Fuel Pipe Sizing

The tables below provide the maximum capacity of pipe in cubic feet of gas per hour for gas pressures of 0.5 psi or less and a pressure drop of 0.3 in. water column. Specific gravity of gas is shown.

Listed values compensate for a nominal amount of restriction from bends, fittings, etc. If an unusual number of fittings, bends, or other restrictions are used, please refer to federal and local codes.

NPT	10ft	15ft	20ft	30ft	40ft	50ft	60ft	70ft	80ft	90ft	100ft
3/4"	346	293	240	192	163	145	132	120	113	106	99
1"	653	549	446	360	307	274	250	230	211	197	187

Natural Gas Pipe Size - Gas Flow chart, in cubic feet per hour, specific gravity=0.65

NPT	10ft	15ft	20ft	30ft	40ft	50ft	60ft	70ft	80ft	90ft	100ft
3/4"	277	192	158	126	107	95	87	79	74	69	65
1"	428	360	293	236	202	180	164	151	139	129	123

Liquid Propane (LP) Gas Pipe Size - Gas Flow chart, in cubic feet per hour, specific gravity=1.50

Required Propane Tank Size

The required size of the propane tank at various temperatures when kept at least half full is shown below in the chart. Given the gas withdrawal rate and the lowest average winter temperature, an installer can specify the required LP storage tank size.

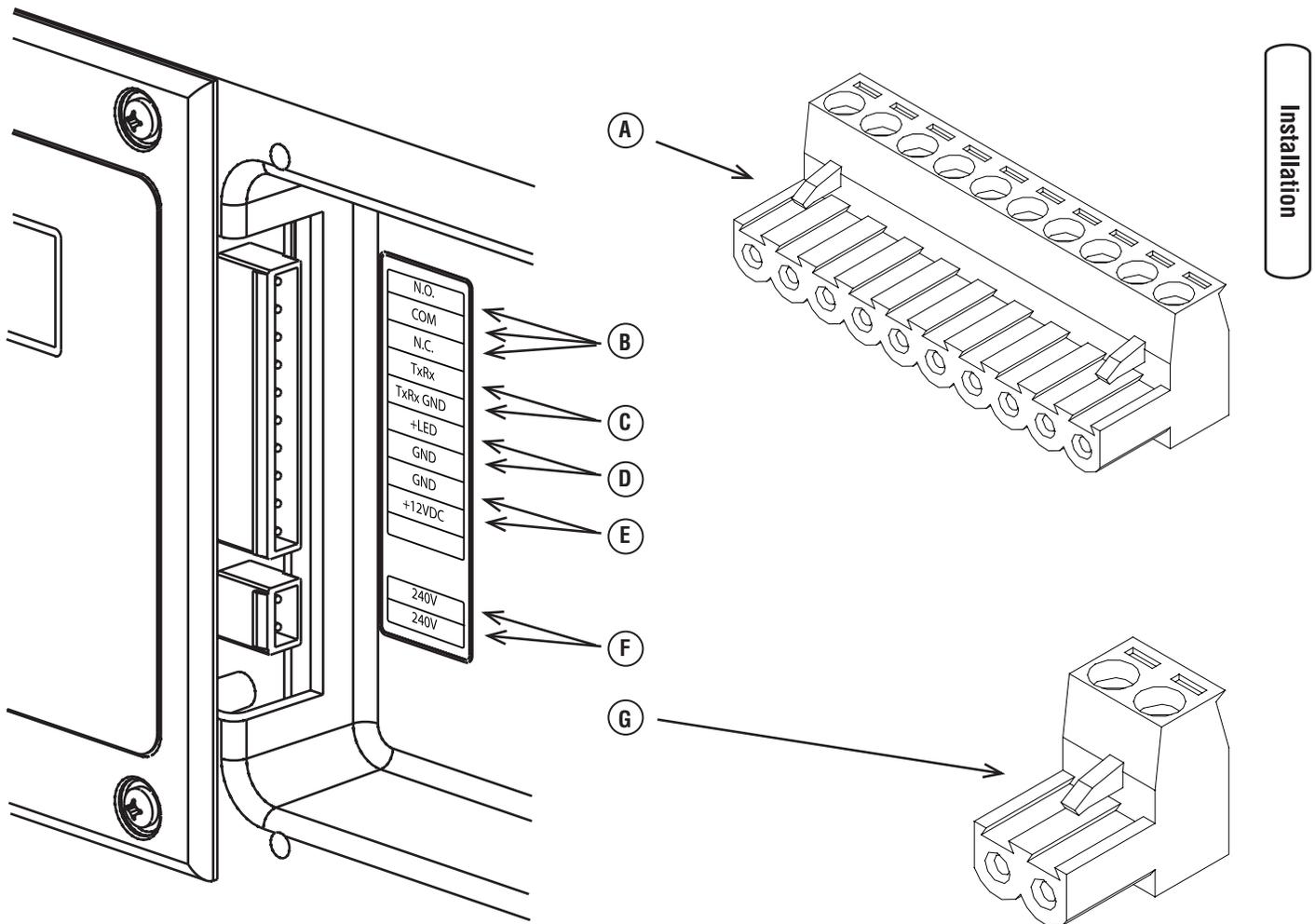
Withdrawal Rate	32° F	20° F	10° F	0° F	-10° F	-30° F	-40° F
50 CFH	115	115	115	250	250	400	600
100 CFH	250	250	250	400	500	1000	1500
150 CFH	300	400	500	500	1000	1500	2500
200 CFH	400	500	750	1000	1200	2000	2500
300 CFH	750	1000	1500	2000	2500	4000	5000

Physical Properties	LP Vapor	Natural Gas
Normal Atmospheric State	Gas	Gas
Boiling Point (in °F): Initial End	-44 -44	-259 -259
Heating Value: BTU per gallon (Net LHV*) BTU per gallon (gross**) Cubic feet (gas)	83,340 91,547 2,500	63,310 1,000
Density***	36.39	57.75
Weight†	4.24	2.65
Octane Number: Research Motor	110+ 97	110+

* LHV (Low Heat Value) is the more realistic rating.
** Gross heat value does not consider heat lost in the form of water during combustion.
*** Density is given in "Cubic Feet of Gas per Gallon of Liquid".
† Weight is given in "Pounds per Gallon of Liquid".

System Connectors

Except for the power output and grounding connectors, all signal wire connections are made to removable two- or ten-pin connector plugs. Compare this illustration with your generator to familiarize yourself with the location of these important connections:



A - 10 Pole Connector Plug

B - Fault Contacts — Use NO, COM and NC to hook up a siren, light, optional GenAlert, etc. to alert you in case of a fault. Contacts reverse state (NO goes to NC and vice versa) upon a fault condition.

C - Transfer Switch Communication — Use TxRx and TxRx GND to transfer switch to monitor generator functions.

D - Remote LED Output — Use this to hook up the remote LED supplied with the generator. The remote LED will turn on and off in a series of blinks if certain faults are detected in the generator.

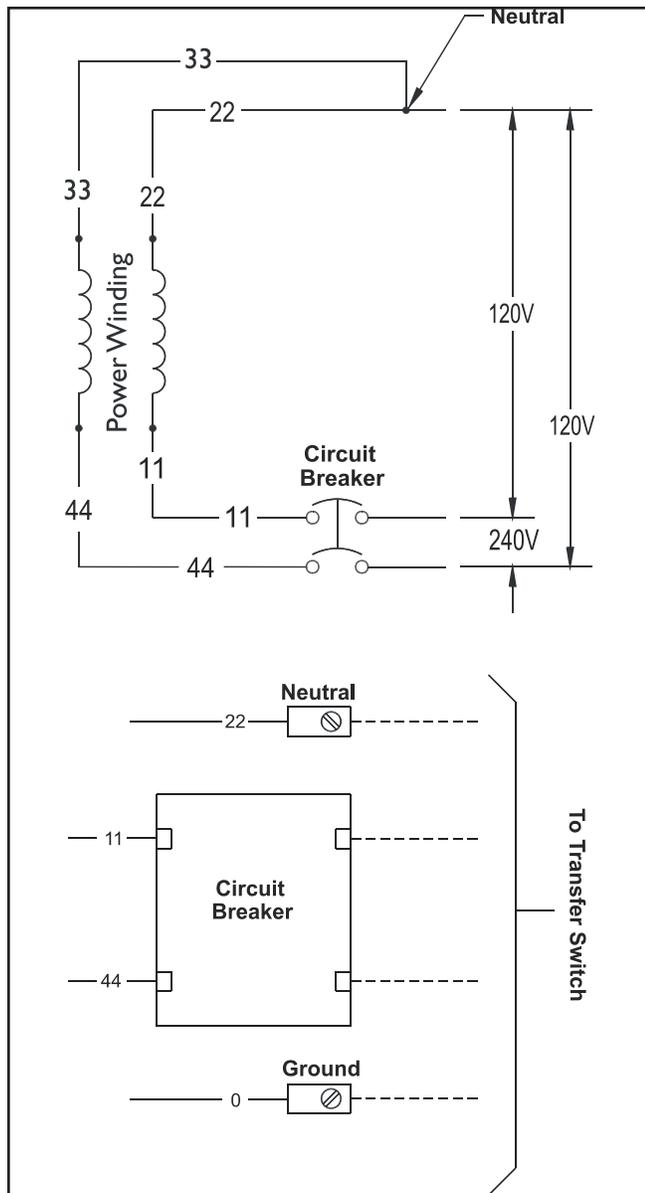
E - +12 Volt DC, .5 Amp Output — Internal power supply.

F - 240 Volt Utility — Use to hook up the 240V utility leads from the transfer switch to the generator.

G - 2 Pole Connector Plug

Generator AC Connection System

A single-phase, three-wire AC connection system is used in the home generator. The stator assembly consists of a pair of stationary windings with two leads brought out of each winding. The junction of leads 22 and 33 forms the neutral lead, as shown schematically and as wiring diagram below. A complete schematic and wiring diagram can be found in the separate illustrated parts list manual.



NOTE: Neutral is not bonded to ground at generator.

Grounding the Generator

Ground the home generator per applicable codes, standards, and regulations. The generator **GND** lug is located inside the control panel door under the circuit breaker cover.

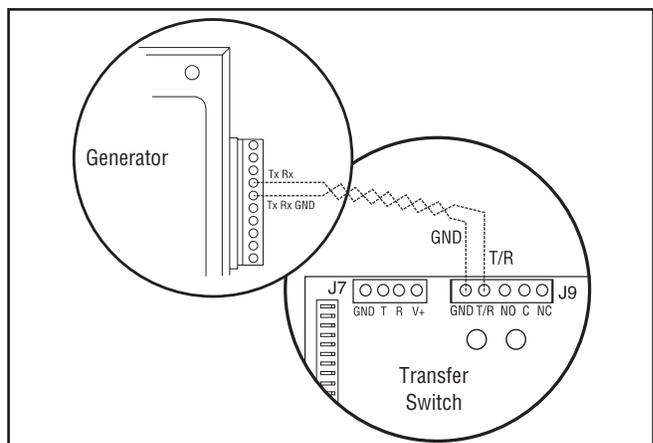
Utility Circuit Connection

“240V Utility” leads must be routed in conduit. The “240V Utility” leads deliver power to the generator’s circuit board, optional battery warmer and optional oil warmer. This power also charges the battery. When power on these leads is lost, the generator will start.

Using provided 2 pole connector plug and installer-supplied minimum 300V, 14 AWG copper wire, connect each control circuit terminal in the generator to the two-amp fuse terminals in the automatic transfer switch.

Transfer Switch Communication

Using #18 AWG twisted pair conductors, no greater than 200 ft in length, connect Tx Rx and Tx Rx Ground from the generator control panel to the GND and T/R on the transfer switch control board.



Fault Detection System

The generator may have to run for long periods of time with no operator present. For that reason, the system is equipped with sensors that automatically shut down the generator in the event of potentially damaging conditions, such as low oil pressure, high temperature, over speed, and other conditions. Refer to *Fault Detection System* in *Maintenance* for more detailed information.

The owner will use the remote LED indicator to observe the status of the home generator system. Consult with the owner for a convenient location. Locate the electrical box in an area visible by the home owner such as near a garage door opener or security control panel.

To install the remote LED indicator:

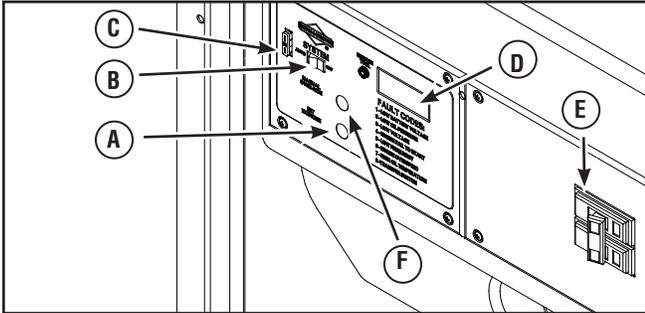
1. Push the LED through the mounting plate from the front until it snaps in place.

IMPORTANT: The LED is polarity sensitive.

2. Using provided 10 pole connector and installer-supplied minimum 18AWG wire, connect the remote LED to the generator control board +LED and GND connection. Use wire nuts to attach wire to LED leads.
3. Attach mounting plate to installer-supplied electrical box.

System Control Panel

The home generator control panel, located inside the generator housing, is shown below.



Brief descriptions of the controls used during installation are:

- A - Set Exercise Switch — Used to set the exercise cycle.
 - B - System Switch — Switches modes to OFF and AUTO.
 - C - 15 Amp Fuse — Protects the DC control circuits.
 - D - Digital Display — Displays running time and fault codes.
 - E - Circuit Breaker — Must be ON to supply power to the transfer switch.
 - F - Manual Over-Ride Switch — Turns generator ON or OFF.
- More information may be found in *Controls* in the Operator's Manual.

System Switch

This two-position switch is the most important control on the home generator and is used as follows:

- “**AUTO**” position is the normal operating position. If a utility power outage is sensed, the system will start the generator. When utility power is restored, lets the engine stabilize internal temperatures, shuts off the generator, and waits for the next utility power outage.
- “**OFF**” position turns off running generator, prevents unit from starting and resets any detected faults.

15 Amp Fuse

Protects the home generator DC control circuits. If the fuse has ‘blown’ (melted open) or was removed, the engine cannot crank or start. Replace the fuse using only an identical ATO 15A fuse. One spare fuse is supplied with the unit. If fuse was blown or removed, you will need to reset the excercise timer (see *Setting Excercise Timer*).

Final Installation Considerations

Engine Oil

NOTICE

Any attempt to crank or start the engine before it has been properly serviced with the recommended oil will result in equipment failure.

- Refer to *Maintenance* and engine manual for oil fill information.
- Damage to equipment resulting from failure to follow this instruction will void engine and generator warranty.

This engine is shipped from the factory pre-run and filled with synthetic oil (API SJ/CF 5W-30W). This allows for system operation in the widest range of temperature and climate conditions. Before starting the engine, check oil level and ensure that engine is serviced as described in the engine operator's manual.

NOTE: The use of synthetic oil **does not** alter the required oil change intervals described in the engine operator's manual.

Battery

The home generator is supplied with a sealed, valve-regulated, lead-acid rechargeable 12 Volt DC, 600 cold cranking amps (CCA), AGM type, 55 Amp-Hour battery. The battery cables are connected at the factory. The unit's 15 Amp fuse, which isolates the battery and prevents the unit from starting, has been removed for shipping. The battery will lose some charge prior to installation of the generator. If battery voltage is below 12 Volts, charge the battery. See *Battery* in the Operator's Manual *Maintenance* section for details.

IMPORTANT: If battery voltage is below 5 Volts, it may not take a charge and you will need a new battery.

Fuel Supply System

Ensure that all fuel pipe connections are tight, secure and without leaks.

Ensure that all gas line shutoff valves are OPEN and that adequate fuel pressure is available whenever automatic operation is desired.

Initial Start-up (No Load)

Before operating the home generator or placing it into service, inspect the entire installation carefully.

Then begin testing the system without any electrical loads connected, as follows:

1. Set generator's main circuit breaker to its **ON** (closed) position.
2. Install 15 Amp fuse in control panel.
3. Set generator's system switch to **AUTO**.
4. Push **MANUAL OVER-RIDE** button on control panel.

NOTE: When the home generator is started for the very first time, it will require that air in the gaseous fuel lines be purged. This may take a few minutes.

5. DO NOT crank engine for more than 10 seconds, then pause for 10 seconds to reduce heat in the starter.
6. Repeat process until engine starts.
7. Listen for unusual noises, vibration or other indications of abnormal operation. Check for oil leaks while engine runs.
8. Let engine warm up for about five minutes to allow internal temperatures to stabilize.
9. Connect an accurate AC voltmeter and a frequency meter to check generator output at load side of circuit breaker. Voltage should be 239-262 Volts, frequency should be 62.0 - 62.5 Hz.

NOTE: If either parameter is outside these ranges, perform the Engine Adjustments described below.

10. Check generator output between one of the generator connection lugs and the neutral lug, then between the other generator connection lug and the neutral lug. In both cases, voltage reading should be between 119-131 Volts.
11. Push and hold **MANUAL OVER-RIDE** button on control panel again until engine stops.

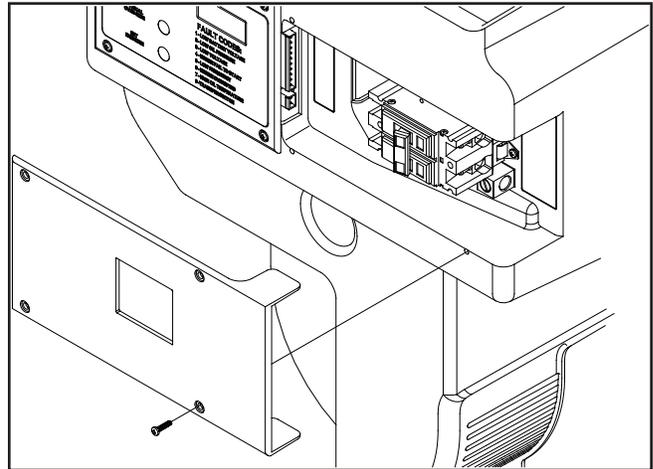
IMPORTANT: DO NOT proceed until you are certain that generator AC voltage and frequency are correct and within the stated limits. To obtain the proper generator frequency, see *Engine Adjustments*.

Engine Adjustment

Each home generator unit leaves the factory set for either NG or LP gas operation. There are regional variances in the composition of natural gas. If the generator output voltage or frequency measured during Initial Start-Up (paragraph #9) is outside the listed ranges, the combustibility of the gas supplied at the installation site may be substantially different from the fuel used at the factory.

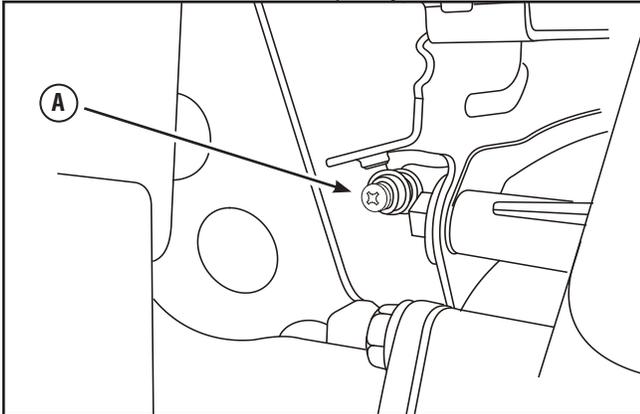
To adjust the engine for this difference, proceed as follows.

1. Open the oil drain and control panel access doors.
2. Remove the four screws that hold the circuit breaker cover to the air intake guard.



3. Connect an accurate frequency meter to the line side of the generator's main circuit breaker.
4. Ensure that the 15 Amp fuse is installed.
5. Set the generator's main circuit breaker **ON**.
6. Set the generator's system switch to **AUTO**.
7. Push **MANUAL OVER-RIDE** button on control panel. When the engine starts, allow it to warm up for five minutes.

8. Normal no load frequency is 62.0 to 62.5 Hz. If adjustment is needed at no load, slowly rotate the governor adjustment screw **(A)** clockwise and/or counterclockwise until frequency is 62.0 to 62.5 Hz.



9. Push and hold **MANUAL OVER-RIDE** button on control panel again until engine stops.
10. Turn the service disconnect to the transfer switch off. After a short time delay, the transfer switch will connect to the generator.

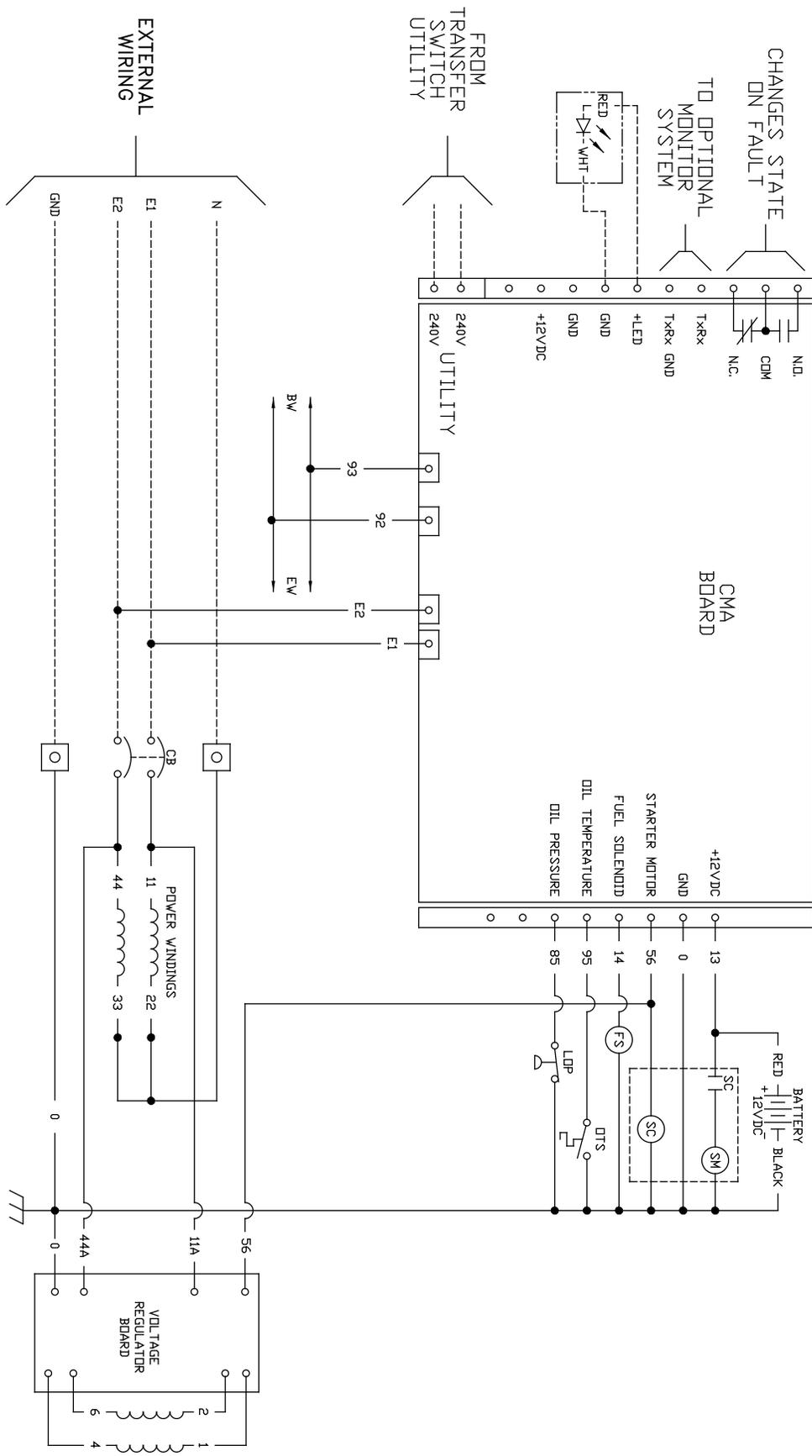
11. Load generator to full load.
12. Connect an accurate frequency meter to the load side of the generator's main circuit breaker. Frequency should be above 57.0 Hz.
13. If frequency is below 57.0 Hz, slowly rotate the governor adjustment nut or screw clockwise and/or counterclockwise until frequency is above 57.0 Hz.
14. Turn the service disconnect to the transfer switch on. The transfer switch will connect to the utility after five minutes.
15. After the engine has stopped running,
 - If an adjustment was made in step 13, repeat steps 3 through 9.
 - If an adjustment was not made in step 13, proceed to step 16.

IMPORTANT: If the no load frequency falls out of the no load parameter after full load adjustment is made, contact an authorized service center.

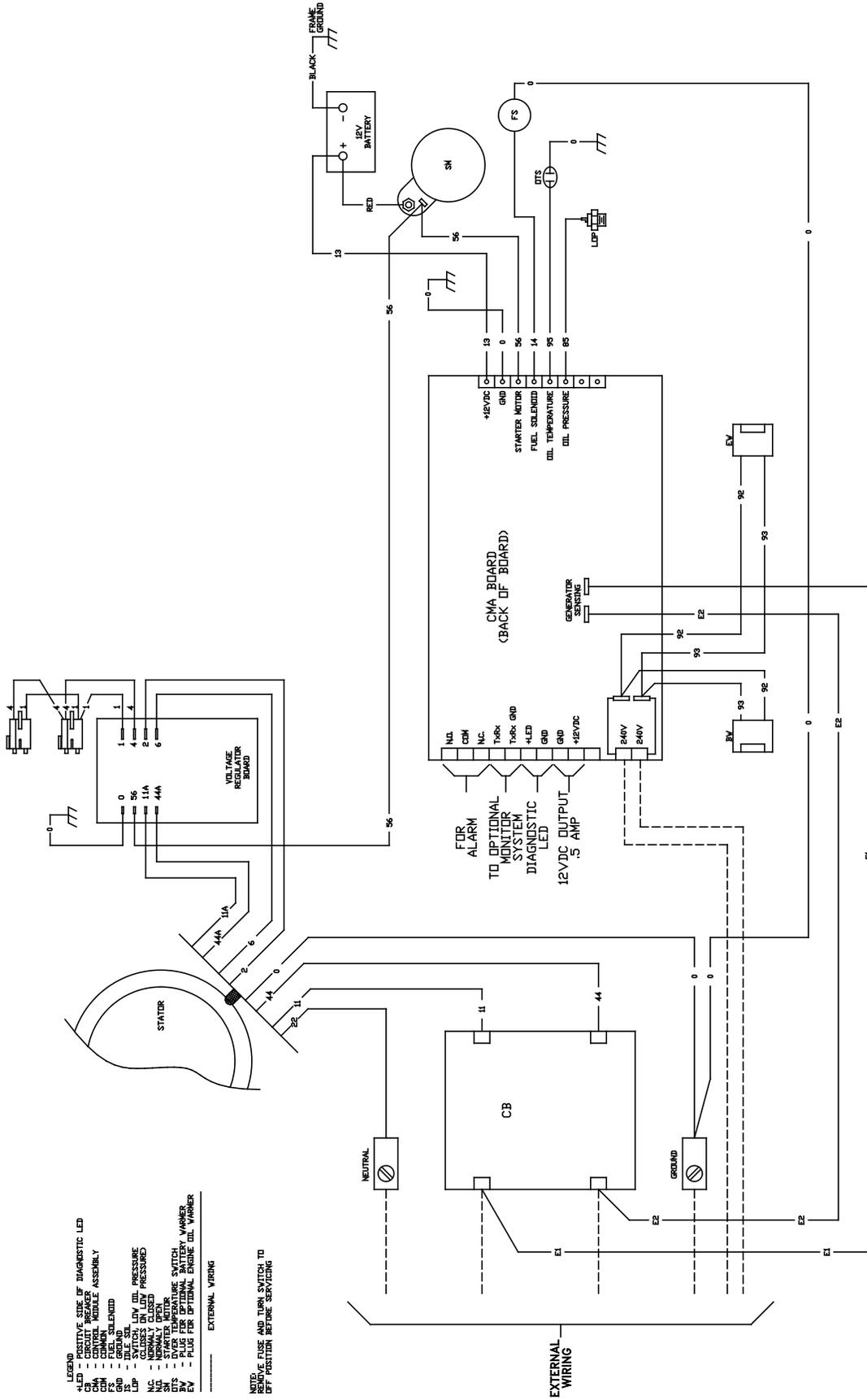
16. Reinstall the circuit breaker cover to the air intake guard.
17. Close the oil drain and control panel access doors.

Schematic

Installation



Wiring Diagram



- LEGEND**
- LED - CRESTITY SIZE OF DIAGNOSTIC LED
 - CB - CIRCUIT BREAKER
 - CMA - CONTROL MODULE ASSEMBLY
 - F5 - FUSE
 - FS - FUEL SOLENOID
 - GND - GROUND
 - L1P - SWITCH LOW OIL PRESSURE
 - L2P - SWITCH HIGH OIL PRESSURE
 - NC - NORMALLY CLOSED
 - NO - NORMALLY OPEN
 - OT - OVER TEMPERATURE SWITCH, WARNER
 - PT - PLUS FOR OPTIONAL ENGINE OIL WARNER
 - EV - PLUS FOR OPTIONAL ENGINE OIL WARNER
- EXTERNAL WIRING**

NOTE: FUSE AND TURNS SWITCH TO LEFT POSITION FOR USE.

Installation

Controls

See the Operator's Manual for complete description of the home generator controls.

Operation

Automatic Operation Sequence

The generator's control panel houses a logic control circuit board. This control board constantly monitors utility power source voltage. Should that voltage drop below a preset level, control board action will signal the engine to crank and start.

When utility source voltage is restored above a preset voltage level, the engine is signaled to shut down.

The actual system operation is not adjustable and is sequenced by sensors and timers on the control board, as follows:

Utility Voltage Dropout Sensor

- This sensor monitors utility source voltage.
- If utility source voltage drops below about 70 percent of the nominal supply voltage, the sensor energizes a 10 second timer. The timer is used to 'sense' brown-outs.
- Once the timer has expired, the engine will crank and start.

Utility Voltage Pickup Sensor

This sensor monitors utility power supply voltage. When that voltage is restored above 80 percent of the nominal source voltage, a time delay starts timing and the engine will go to engine cool-down.

Engine Cool-down Timer

- When the load is transferred back to the utility power source, the engine cool-down timer starts timing.
- The timer will run for about one minute, then the generator will stop.
- Minimum engine run time is 5 minutes.

Setting Exercise Timer

The home generator is equipped with an exercise timer that will start and exercise the system once every seven days. During this exercise period, the unit runs for approximately 20 minutes and then shuts down. Electrical load transfer DOES NOT occur during the exercise cycle (unless an utility power outage occurs).

A button on the control panel is labeled "Set Exercise" (see *System Control Panel*). The specific day and the specific time of day this button is pressed is programmed into the control board memory. This date and time is then used to automatically initiate the system exercise cycle. The "SET EXERCISE" legend on the control panel will flash until the set exercise cycle is set.

To perform the Set Exercise procedure:

1. Choose the day and time you want your home generator to exercise.
2. On that day and time, press and hold down the "Set Exercise" button for three seconds.

NOTE: "SET EXERCISE" will flash until the button is pressed for three seconds, then "SET EXERCISE" will illuminate for 5 seconds, and finally turn off.

For example, if you press the "Set Exercise" button on Sunday morning at 10:00 AM, the unit will run an exercise cycle the following Sunday at 10:00 AM (+/- 1/2 hour).

NOTE: "Set Exercise" will only work if the unit is in the Automatic mode and this exact procedure is followed. The exerciser will need to be re-set if the 15 Amp fuse is removed or changed, or if the 12 Volt DC battery is disconnected.

If you want to change the day and time the unit exercises, simply perform the "Set Exercise" procedure at the exact weekday and time you want it to take place.

Installation Inspection

Complete the "Installation Checklist" as you make the inspection. Ensure all items have been filled-in and all signatures have been obtained. Instruct the owner to mail the white copy to:

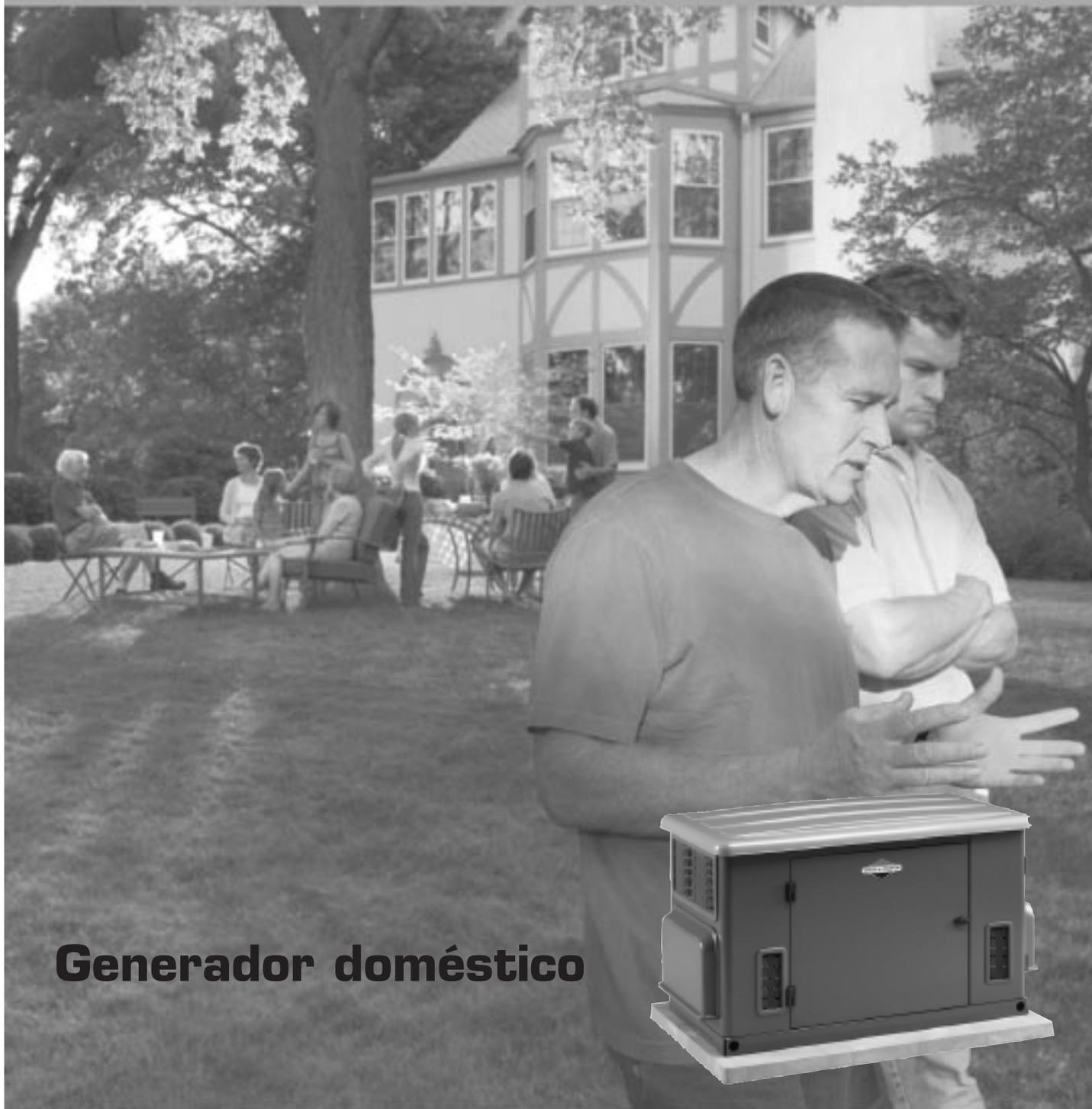
Briggs & Stratton Power Products
Warranty Registration
P. O. Box 239
Jefferson, WI 53549-0239

More detailed Operating, Maintenance and Troubleshooting information is given in the Operator's Manual.



Home Generator Systems

Manual de Instalación y Arranque



Generador doméstico

Muchas gracias por comprar este generador Briggs & Stratton de gran calidad. Nos alegra que haya depositado su confianza en la marca Briggs & Stratton. Siempre que sea conforme a las instrucciones del manual del operario, su generador Briggs & Stratton le proporcionará muchos años de buen funcionamiento.

Este manual contiene información sobre seguridad para hacerle consciente de los riesgos asociados a los generadores y mostrarle cómo evitarlos. Este generador se ha diseñado exclusivamente para suministrar energía eléctrica a cargas compatibles de iluminación, electrodomésticos, herramientas y motores. No debe utilizarse para ningún otro fin. Es importante leer detenidamente y comprender estas instrucciones antes de poner en marcha o utilizar el equipo. Este producto no pertenece a la categoría de reserva de emergencia según lo definido por la norma NFPA 70 (NEC).

Antes de utilizar el generador doméstico de reserva, es necesario que lo instale un profesional. El manual de instalación ofrece información completa. Siga todas las instrucciones. **Conserve este manual para futuras consultas.**

Dónde encontrarnos

Usted no tendrá que ir muy lejos para encontrar el servicio técnico de Briggs & Stratton para su generador. Consulte las Páginas Amarillas. Hay más de 30.000 proveedores de Briggs & Stratton autorizados en todo el mundo, proporcionando un servicio de calidad. También puede dirigirse al departamento de servicio al cliente de Briggs & Stratton llamando al **(800) 743-4115** o utilizar el buscador de centros de servicio técnico de BRIGGSandSTRATTON.COM, que ofrece la lista de los distribuidores de servicio autorizados de Briggs & Stratton.

Fecha de compra

Generador

Número de Modelo
Revisión
Número de Serie

Motor

Número de Modelo

Briggs & Stratton Power Products Group, LLC.
900 North Parkway
Jefferson, WI 53549

Copyright © 2008 Briggs & Stratton Power Products Group, LLC.
Reservados todos los derechos. Queda prohibida la reproducción o transmisión total o parcial de este material, sea cual sea la forma y el medio empleados para ello, sin el permiso previo y por escrito de Briggs & Stratton Power Products Group, LLC.

Tabla de contenido

Instrucciones importantes de seguridad	4
Instalación	7
Descripción del equipo.	7
Responsabilidades del cliente	7
Responsabilidades del instalador.	7
Precauciones al Momento del Desempaque	7
Inspección al Momento de la Entrega	7
Contenido de la Caja	7
Ubicación del Sistema de Generador de Doméstico	8
Ubicación del Generador	8
Dimensiones de la Entrada para Electricidad y Combustible	9
Elevación del Generador.	9
Puertas de Acceso	10
Sistema de combustible gaseoso.	10
Consumo de Combustible	12
Dimensiones de la Cañería de Combustible.	12
Tamaño del Tanque de Propano Requerido.	12
Conexiones de Sistema	13
Sistema de Conexión de c.a. del Generador.	14
Conexión a Tierra del Generador	14
Interconexiones del Circuito de Control	14
Comunicación del conectador	14
Sistema de Detección de Fallas	14
Panel de Control del Sistema.	15
Consideraciones finales para la instalación	15
Sistema de Suministro de Combustible	15
Arranque inicial (sin carga)	16
Ajuste del Motor.	16
Mandos	17
Utilización.	17
Secuencia de operación automática.	17
Configuración del temporizador de práctica.	18
Inspección posterior a la instalación	18

Conserve estas instrucciones

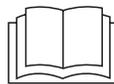
Instrucciones importantes de seguridad

El símbolo de alerta de seguridad (▲) es usado con una palabra (PELIGRO, ADVERTENCIA, PRECAUCIÓN), un mensaje por escrito o una ilustración, para alertarlo acerca de cualquier situación de peligro que pueda existir. **PELIGRO** indica un riesgo el cual, si no se evita, *causará* la muerte o una herida grave. **ADVERTENCIA** indica un riesgo el cual, si no se evita, *puede* causar la muerte o una herida grave. **PRECAUCIÓN** indica un riesgo, el cual, si no se evita, *puede* causar heridas menores o moderadas. **AVISO** indica una situación que podría resultar en el daño del equipo. Siga los mensajes de seguridad para evitar o reducir los riesgos de heridas e inclusive la muerte.

Este manual contiene las instrucciones para la instalación y el arranque de los sistemas de generadores domésticos que trabajan con dispositivos de 120 y 240 Voltios, con corriente monofásica a 60 Hz. El sistema generador doméstico se puede utilizar con propano líquido (LP) o gas natural como combustible. En un manual del operario separado (número de parte 202827GS) se pueden encontrar las instrucciones de operación y mantenimiento de este modelo.

Se han tomado todos los recaudos posibles para asegurar que la información incluida en este manual sea correcta y esté actualizada. Sin embargo, los fabricantes se reservan el derecho de cambiar, alterar o mejorar el sistema de cualquier otra manera y en cualquier momento, sin previo aviso.

Símbolos de Peligro y Significados

		
Explosión	Fuego	Descarga Eléctrica
		
Gases Tóxicos	Partes en Movimiento	Superficie Caliente
		
Arranque automático	Presión Explosiva	Quemaduras Química
		
Peligro al elevar	Manual del Operario	

▲ ADVERTENCIA



Las baterías almacenadas producen hidrógeno explosivo mientras estén siendo recargadas.

Una pequeña chispa puede encender el hidrógeno y causar una explosión.



El fluido de electrolito de la batería contiene ácido y es extremadamente cáustico.



El contacto con el fluido de la batería puede causar quemaduras químicas severas.

Las baterías presentan un riesgo de descarga eléctrica y de elevada corriente de cortocircuito.

- NO deseche la batería tirándola al fuego.
- No permita ninguna llama abierta, chispa, calor, o encienda un cigarrillo durante y por varios minutos después de haber recargado la batería.
- NO abra ni manipule la batería.
- Lleve puestos las gafas protectoras, delantal y guantes de goma.
- No lleve relojes, anillos ni otros objetos metálicos.
- Utilice herramientas con mangos aislados.

▲ ADVERTENCIA



Al motor funcionar, se produce monóxido de carbono, un gas inodoro y venenoso.

Respirar monóxido de carbono puede provocar dolor de cabeza, fatiga, mareos, vómitos, confusión, ataques, náuseas, desmayos o incluso la muerte.

- Opere el generador SOLAMENTE al aire libre.
- Instale una alarma de monóxido de carbono con batería cerca de los dormitorios.
- Asegúrese de que los gases de escape no puedan entrar por ventanas, puertas, tomas de aire de ventilación u otras aberturas en un espacio cerrado en el que puedan acumularse.

▲ ADVERTENCIA

Determinados componentes en este producto y los accesorios relacionados contienen sustancias químicas declaradas cancerígenas, causantes de malformaciones, y otros defectos congénitos por el Estado de California. Lávese las manos después de manipular estos elementos.

⚠ ADVERTENCIA

El escape del motor de este producto contiene elementos químicos reconocidos en el Estado de California por producir cáncer, defectos de nacimiento u otros daños de tipo reproductivo.

⚠ ADVERTENCIA

	<p>Los generadores producen un voltaje muy poderoso.</p> <p>Si no hace tierra apropiadamente con un generador, puede hacer que ocurra un electrocutamiento.</p> <p>Si no aísla el generador de utilidades de energía, puede hacer que los trabajadores de electricidad sufran heridas graves e inclusive la muerte, debido a la retroalimentación de la energía eléctrica.</p>
---	--

- Cuando use un generador como poder de energía auxiliar, notifique a la compañía de utilidades.
- NO toque los alambres pelados o receptáculos.
- NO use un generador con cables eléctricos que estén malgastados, rotos, pelados o dañados de cualquier forma.
- NO maneje el generador o cables eléctricos mientras esté parado en agua, descalzo o cuando las manos y los pies estén mojados.
- Si fuera necesario realizar trabajos en cercanías de la unidad mientras está en funcionamiento, párese sobre una superficie seca y aislada para reducir los riesgos de una descarga.
- NO permita que personas descalificadas o niños operen o sirvan al generador.
- En caso de que se produzca un accidente causado por una descarga eléctrica, cierre inmediatamente la fuente de energía eléctrica y contacta administración local. **Evite el contacto directo con la víctima.**
- A pesar del diseño seguro del sistema de generador de doméstico, si se opera este equipo en forma imprudente, si no se cumple con el mantenimiento o si se actúa con descuido, se pueden producir lesiones o la muerte.
- Permanezca siempre alerta cuando trabaje con este equipo. NUNCA trabaje con este equipo si se siente cansado física o mentalmente.
- Antes de realizar cualquier tarea de mantenimiento en el generador, desconecte primero el cable de la batería marcado como **NEGATIVE, NEG** o (-). Cuando haya terminado, vuelva a conectar el cable en último lugar.
- Una vez que el sistema de generador de doméstico está instalado, el generador puede arrancar manualmente sin ninguna advertencia cada vez que se produce una falla en el suministro de electricidad. Para evitar posibles lesiones, siempre fije el conmutador del sistema en OFF, **Y** retire el fusible de 15 Amperios **ANTES** de realizar trabajos en el equipo.

⚠ ADVERTENCIA

	<p>El Gas Natural y el Propano son extremadamente inflamables y explosivos.</p> <p>El fuego o una explosión pueden causar quemaduras severas e inclusive la muerte.</p>
---	---

- Instale el sistema de suministro de combustible de acuerdo con los códigos de gas combustible que correspondan.
- Antes de poner en servicio el sistema de generador de doméstico, se deben purgar las líneas del sistema de combustible y se debe probar si presentan pérdidas.
- Una vez instalado el sistema, se lo debe inspeccionar en forma periódica.
- NO se debe permitir que se produzca ninguna pérdida.
- NO haga funcionar el motor si se percibe olor a combustible o si existe alguna otra fuente de ignición.
- NO fume cerca del generador. Limpie en forma inmediata cualquier derrame de aceite. Asegúrese de no dejar materiales combustibles en el compartimiento del generador. Mantenga el área próxima al generador limpia y libre de desperdicios.

⚠ ADVERTENCIA

	<p>Tensión peligrosa</p> <p>El contacto con los cables eléctricos puede provocar electrocución y quemaduras.</p>
	<p>Peligro al elevar el equipo / Objeto pesado</p> <p>Puede provocar daños en los músculos y en la espalda.</p>

- Si utiliza equipos de elevación o izado, EVITE el contacto con los cables eléctricos.
- NO eleve ni mueva el generador sin ayuda.
- Utilice tubos de elevación conforme a la sección *Elevación del generador*. La unidad se puede mover sobre los tubos de elevación y provocar lesiones.
- NO levante la unidad por la parte superior; podría provocar daños en el generador.

⚠ ADVERTENCIA

	<p>El arrancador y otras piezas que rotan pueden enredar las manos, el pelo, la ropa, o los accesorios.</p>
---	---

- NUNCA utilice la generador sin sus carcasas o tapas de protección.
- NO use ropa suelta, joyas o elementos que puedan quedar atrapados en el arranque o en otras partes rotatorias.
- Ate para arriba el pelo largo y quite la joyería.

⚠️ ADVERTENCIA

El contacto con la zona del silenciador puede producir quemaduras graves.



Los gases y el calor de escape pueden inflamar los materiales combustibles y las estructuras y provocar un incendio.

- NO toque las superficies calientes y evite los gases del escape a alta temperatura.
- Permita que el equipo se enfríe antes de tocarlo.
- NO instale el generador a menos de 1,5 metros (5 pies) de todo material combustible o estructura con muros combustibles cuya resistencia al fuego sea inferior a una hora.
- Mantenga por lo menos las distancias mínimas que se muestran en las *Pautas generales de colocación* para garantizar la refrigeración del generador y el espacio libre para mantenimiento adecuados.
- El Código de Normativa Federal (CFR, Título 36: Parques, Bosques y Propiedad Pública) obliga a instalar una pantalla apagachispas en los equipos con motor de combustión interno y a mantenerla en buenas condiciones de funcionamiento, conforme a la norma 5100-1C (o posterior) del Servicio Forestal de la USDA. En el Estado de California, la ley exige el uso de una pantalla apagachispas (Sección 4442 del Código de Recursos Públicos de California). En otros estados puede haber leyes similares en vigor.

⚠️ PRECAUCIÓN

Instala el fusible se puede producir el arranque del motor.

- Tenga en cuenta que el fusible de 15 Amperios ha sido retirado del panel de control para realizar el envío.
- NO instale este fusible hasta que no se hayan completado e inspeccionado todas las conexiones de cables y tuberías.

⚠️ PRECAUCIÓN

Las velocidades de operación en exceso, aumentan los riesgos de heridas y daños al generador.

Las velocidades bajan en exceso, imponen una carga muy pesada.

- NO cambie ninguna velocidad determinada. El generador suministra una frecuencia y un voltaje calificado cuando funciona a una velocidad determinada.
- NO modifique al generador en ninguna forma.

AVISO

El sobrepasar la capacidad del amperaje y vataje del generador, puede dañar al generador y los aparatos eléctricos conectados al mismo.

- Vea *Circuitos Fundamentales* en la manual del operario.
- Encienda su generador y deje que el motor se estabilice antes de conectar las cargas eléctricas.

AVISO

El tratamiento inadecuado del generador puede dañarlo y acortar su vida productiva.

- Use el generador solamente con la finalidad para el cual fue diseñado.
- Si usted tiene alguna pregunta acerca de las finalidades de uso del generador, pregúntele a su concesionario o contacte a Briggs and Stratton.
- Opere el generador solamente en superficies niveladas.
- Para la correcta operación del generador es fundamental contar con ventilación y una circulación de aire de refrigeración adecuada y que no sufra obstrucciones.
- La puerta de servicio del aceite o la del panel de control deben estar instaladas siempre que la unidad esté en funcionamiento.
- No exponga al generador a una humedad excesiva, polvo, suciedad o vapores corrosivos.
- A pesar del diseño seguro del generador doméstico, si se opera este equipo en forma imprudente, si no se cumple con el mantenimiento o si se actúa con descuido, se pueden producir lesiones o la muerte.
- Permanezca siempre alerta cuando trabaje con este equipo. NUNCA trabaje con este equipo si se siente cansado física o mentalmente.
- Nunca encienda el motor si el filtro de aire o su cubierta han sido retirados.
- No inserte cualquier objeto a través de las ranuras de enfriamiento.
- Nunca utilice el generador ni ninguna de sus piezas como escalera. Si se sube sobre la unidad, sus piezas se pueden ver sobreexigidas y pueden romperse. Esto puede dar como resultado condiciones de operación peligrosas como consecuencias de la fuga de gases del escape, pérdida de combustible, pérdida de aceite, etc.
- Si los aparatos conectados se sobrecalientan, apáguelos y desconéctelos del generador.
- Apague el generador si:
 - Se pierde la salida eléctrica;
 - El equipo produce chispas, humo o emite llamas;
 - La unidad vibra de una manera excesiva.

Instalación

Descripción del equipo

Este producto está pensado para utilizarlo como un sistema de reserva doméstico opcional que proporciona una fuente alternativa de energía eléctrica con capacidad para alimentar cargas tales como sistemas de calefacción y refrigeración y sistemas de comunicaciones, que cuando dejan de funcionar a causa de una interrupción de la alimentación eléctrica de la red pueden producir incomodidades o problemas. Este producto no pertenece a la categoría de reserva de emergencia según lo definido por la norma NFPA 70 (NEC).

Responsabilidades del cliente

- Lea y cumpla las instrucciones incluidas en el Manual del Operario, en especial la sección dedicada a la seguridad y la sección relacionada con la selección de los circuitos fundamentales.
- Siga un programa regular para mantener, cuidar y utilizar el sistema de generador de doméstico, según se especifica en el Manual del Operario.

Responsabilidades del instalador

- Lea y observe las reglas de seguridad que se encuentran en el Manual del Operario.
- En la caja encontrará una lista de los conmutadores de transferencia recomendados aprobados por UL y que son compatibles con el sistema de generador de doméstico.
- Lea y siga las instrucciones que se encuentran en este Manual de Instalación.

IMPORTANTE: Si se utiliza el generador a una temperatura inferior a 5°C (40°F), se recomienda instalar un calentador de batería y de aceite. Si se utiliza el generador a una temperatura inferior a 0°C (32 °F), será necesario instalar un calentador de batería y de aceite. Podrá encontrar ambos accesorios en su distribuidor local.

Precauciones al Momento del Desempaque

La unidad se envía abulonada a su placa de montaje, lista para engancharla hacia arriba. Tenga cuidado a fin de evitar daños causados por caídas, golpes, choques, etc. Guarde y desempaque la caja ubicando el lado correcto hacia arriba, tal como se indica en la misma.

 PRECAUCIÓN	
	Instala el fusible se puede producir el arranque del motor.
<ul style="list-style-type: none"> • Tenga en cuenta que el fusible de 15 Amperios ha sido retirado del panel de control para realizar el envío. • NO instale este fusible hasta que no se hayan completado e inspeccionado todas las conexiones de cables y tuberías. 	

Inspección al Momento de la Entrega

Luego de retirar la caja, inspeccione cuidadosamente el sistema de generador de doméstico para detectar cualquier daño que pudiera haber ocurrido durante el traslado.

IMPORTANTE: Si en el momento de la entrega se detecta alguna pérdida o daño, solicite a la persona o personas encargadas de la entrega que dejen debida constancia en la nota de entrega y que firmen debajo de la nota del consignador donde se informa acerca de la pérdida o daño. Si la pérdida o el daño se detecta después de la entrega, separe los materiales dañados y póngase en contacto con el transportista para llevar a cabo los procedimientos de reclamo. Las piezas perdidas o dañadas no están garantizadas.

Contenido de la Caja

El sistema de generador de doméstico incluye lo siguiente:

- Sistema de generador de doméstico
- Placa de montaje fijada previamente
- Acoplamiento flexible para combustible con clasificación UL569/CSA8.3
- Manual de instalación
- Manual del operario
- Manual ilustrado de listas de piezas
- Lista de verificación de la instalación
- Dos llaves para la puerta de acceso
- Cuatro tapones para los orificios de izamiento
- Tubo para la carga de aceite
- Un fusible de 15 Amperios de repuesto
- Toma bipolar - 240 V, doméstica
- Toma de 10 polos - Cables de detección y control
- Tapa de la admisión de aire del motor
- Tapa del alternador
- Juego del indicador LED remoto (LED rojo/placa/tornillos)

Herramientas/Equipos Especiales Necesarios

- Dos largos de 48" de tubo de 1" (NO tipo conducto)
- Perforadoras para acero tipo 16
- Destornillador de torsión, de entre 5 y 50 libras por pulgada

Ubicación del Sistema de Generador de Doméstico

Antes de aplicar estas pautas generales, consulte al propietario y comuníquese cualquier factor técnico a tener en cuenta que pudiera influir en sus decisiones y deseos.

⚠ ADVERTENCIA	
	Los gases y el calor de escape pueden inflamar los materiales combustibles y las estructuras provocar un incendio.
<ul style="list-style-type: none"> • NO instale el generador a menos de 1,5 metros (5 pies) de todo material combustible o estructura con muros combustibles cuya resistencia al fuego sea inferior a una hora. • Mantenga por lo menos las distancias mínimas que se muestran en las <i>Pautas generales de colocación en Manual de instalación</i> para garantizar la refrigeración del generador y el espacio libre para mantenimiento adecuados.. 	

Ubicación del Generador

Sitúe el generador en una zona bien ventilada que permita la eliminación de los gases de escape mortales. NO instale el generador en lugares en los que los gases de escape se puedan acumular o entrar en un edificio que pueda estar ocupado. Asegúrese de que los gases de escape no puedan entrar por ventanas, puertas, tomas de aire de ventilación u otras aberturas en un espacio cerrado en el que puedan acumularse. Tenga en cuenta los vientos y las corriente de aire preponderantes cuando elija la ubicación del generador.

⚠ ADVERTENCIA	
	Al motor funcionar, se produce monóxido de carbono, un gas inodoro y venenoso. Respirar monóxido de carbono puede provocar dolor de cabeza, fatiga, mareos, vómitos, confusión, ataques, náuseas, desmayos o incluso la muerte.
<ul style="list-style-type: none"> • Opere el generador SOLAMENTE al aire libre. • Instale una alarma de monóxido de carbono con batería cerca de los dormitorios. • Asegúrese de que los gases de escape no puedan entrar por ventanas, puertas, tomas de aire de ventilación u otras aberturas en un espacio cerrado en el que puedan acumularse. 	

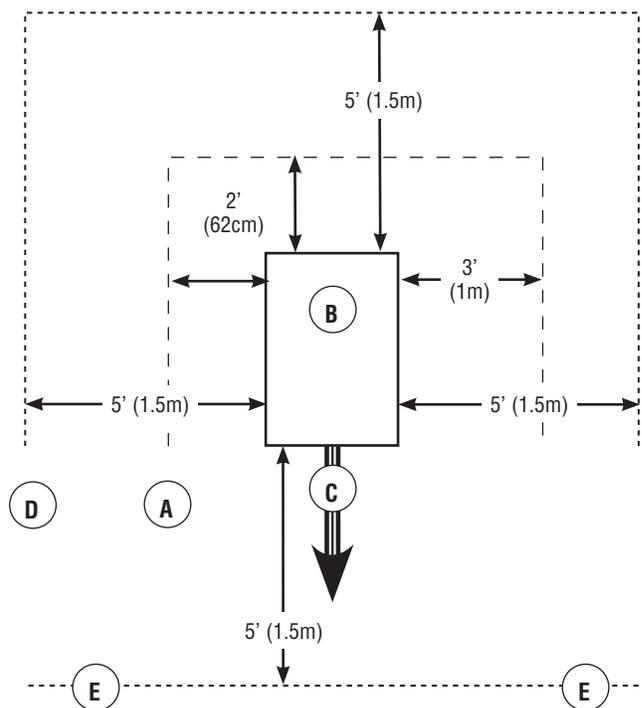
Pautas Generales para la Ubicación del Generador

- La unidad SÓLO debe instalarse en exteriores.
- Ubique la unidad en un lugar preparado, que sea plano y cuente con sistemas de drenaje de agua.
- Instale la unidad en un lugar en el que el agua procedente de bombas, canalizaciones de desagüe, canalones de tejado, sistemas de irrigación o aspersores no pueda inundarla, mojar la caja ni penetrar por las aberturas de entrada o salida de aire.

- Instale la unidad de forma que no dificulte ni afecte a servicios tales como el teléfono, la electricidad, el suministro de combustible, el aire acondicionado o el riego, incluidos los servicios ocultos o subterráneos.
- Instale la unidad en un lugar donde las aberturas de entrada y salida de aire no queden obstruidas por hojas, pasto, nieve, etc. Si los vientos preponderantes ocasionan voladuras o arrastres, es posible que deba construir un rompevientos para proteger la unidad.
- Instale el generador lo más cerca posible del sistema de transferencia de energía automático para reducir la longitud del cableado y las canalizaciones.
- Instale el generador lo más cerca posible del suministro de combustible para reducir la longitud de los caños.

IMPORTANTE: Es posible que las leyes o los códigos locales regulen la distancia al suministro de combustible.

A continuación, se muestran los espacios libres mínimos (**MÍN**) entre el generador (**B**) y los materiales combustibles (**D**) y no combustibles (**A**) desde una perspectiva superior.



A Material no combustible con clasificación de resistencia al fuego de 1 hora o más.

B Generador de reserva doméstico.

C Escape del motor.

D Material o estructura combustible con una clasificación de resistencia al fuego de menos de 1 hora.

E Cualquier estructura o material. NO conecte (**A**) y/o (**D**) a (**E**).

- Estas distancias se ofrecen para ayudar a ubicar el generador teniendo EXCLUSIVAMENTE en cuenta la presencia de materiales combustibles, la refrigeración del generador y el mantenimiento.

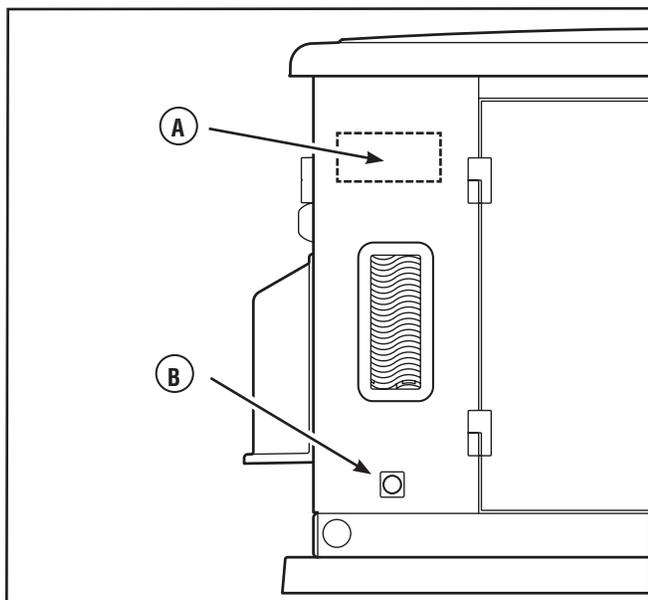
- Las distancias mínimas son las que se muestran en la ilustración. Ninguno de los cuatro lados del generador puede quedar cerrado ni obstruido, aunque se mantengan las distancias mínimas. NO conecte (A) y/o (D) a (E).
- No se puede utilizar un techo.
- Evite la acumulación de los gases (C) de escape. Consulte la advertencia sobre monóxido de carbono en las *normas de seguridad*.

El sistema de generador de doméstico se envía ya unido a su placa de montaje. A menos que los códigos locales así lo soliciten, no es necesario construir una losa de concreto.

Si los códigos locales exigen ese requisito, construya una losa de concreto que tenga por lo menos 3 pulgadas (7.5 cm) de espesor y que sea 6 pulgadas (15 cm) más larga y más ancha que la unidad. Coloque la unidad sobre la losa utilizando pernos de anclaje para albañilería de 14" de diámetro (como mínimo), que sean lo suficientemente largos para soportar la unidad.

Dimensiones de la Entrada para Electricidad y Combustible

A continuación, se muestra el conector de entrada de combustible (B). También se muestra la ubicación recomendada (A) de los orificios de sujeción del conducto de suministro de energía.



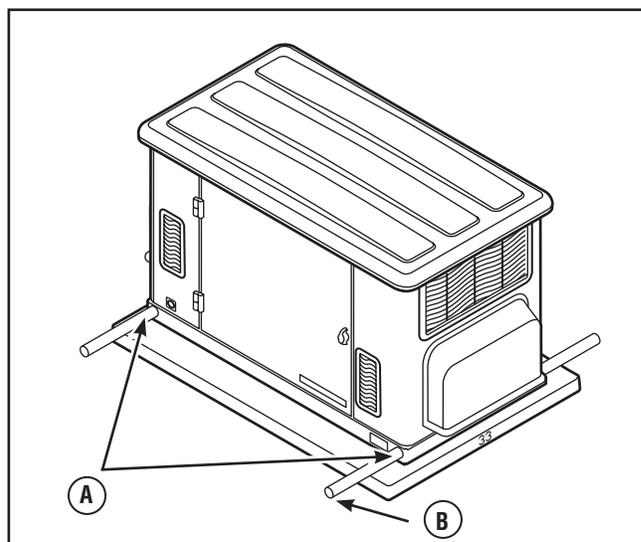
Elevación del Generador

El generador pesa más de 650 libras (300 kg). En todas las etapas de manipulación y traslado de la unidad se deben utilizar las herramientas y los equipos apropiados y debe intervenir personal capacitado.

⚠ ADVERTENCIA	
	<p>Tensión peligrosa El contacto con los cables eléctricos puede provocar electrocución y quemaduras.</p> <p>Peligro al elevar el equipo / Objeto pesado Puede provocar daños en los músculos y en la espalda.</p>
<ul style="list-style-type: none"> • Si utiliza equipos de elevación o izado, EVITE el contacto con los cables eléctricos. • NO eleve ni mueva el generador sin ayuda. • Utilice tubos de elevación conforme a las indicaciones de la sección <i>Elevación del generador</i>. • La unidad se puede mover sobre los tubos de elevación y provocar lesiones. • NO levante la unidad por la parte superior; podría provocar daños en el generador. 	

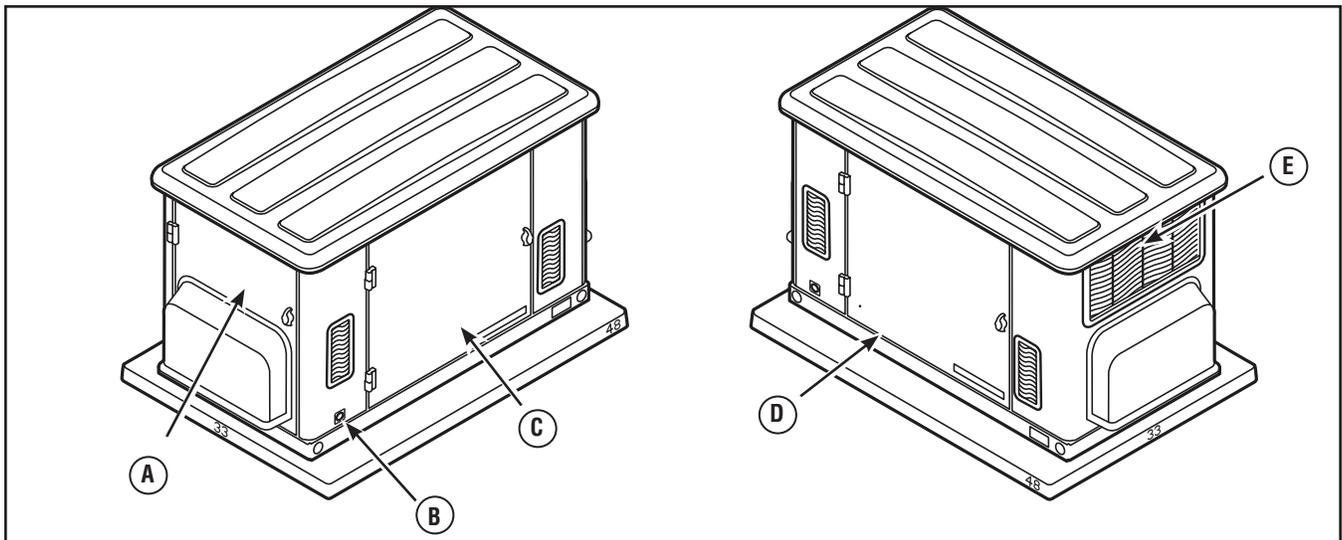
Instalación

Para elevar el generador en forma manual, se necesitan dos largos de 4 pies de caño de 1 pulgada (B, provistos por el instalador). Inserte los tubos a través de los orificios de elevación ubicados (A) cerca de la base de la unidad.



También puede elevar la unidad utilizando algún dispositivo de “enganche y elevación” unido a los tubos de elevación, siempre y cuando utilice una barra separadora para asegurar que los cables o las cadenas queden separados de la parte superior del generador.

Rellene los orificios de elevación con los tapones provistos, una vez que la unidad esté en su lugar.



Puertas de Acceso

El generador doméstico dispone de una caja con tres puertas de acceso, como se muestra en la ilustración anterior. La denominación de las puertas corresponde al componente principal alojado tras ellas:

- A Puerta del Panel de Control
- B Orificio de Entrada de Combustible (se muestra como referencia)
- C Puerta de Llenado de Aceite
- D Puerta de Vaciado de Aceite
- E Orificio de Gases de Escape (se muestra como referencia)

⚠ ADVERTENCIA	
	El contacto con la zona del silenciador puede producir quemaduras graves.
<ul style="list-style-type: none"> • NO toque las superficies calientes y evite los gases del escape a alta temperatura. • Permita que el equipo se enfríe antes de tocarlo. 	

Cada sistema de generador de doméstico doméstico está equipado con dos llaves idénticas que accionan los cerrojos de las puertas de acceso.

Para abrir una puerta de acceso:

1. Inserte la llave en la cerradura de la puerta de acceso que desee abrir y gire un cuarto de vuelta hacia la izquierda.
2. Agarre el picaporte de la puerta y gire un cuarto de vuelta hacia la izquierda para abrir. Retire la llave.

Para cerrar una puerta de acceso:

1. Cierre la puerta y gire su picaporte un cuarto de vuelta hacia la derecha.
2. Inserte la llave en la cerradura de la puerta de acceso y gire un cuarto de vuelta hacia la derecha. Retire la llave.

Sistema de combustible gaseoso

⚠ ADVERTENCIA	
	El Gas Natural y el Propano son extremadamente inflamables y explosivos.
	El fuego o una explosión pueden causar quemaduras severas e inclusive la muerte.
<ul style="list-style-type: none"> • El gas LP es más pesado que el aire y se puede concentrar en áreas bajas. • El gas natural es más liviano que el aire y se puede concentrar en áreas elevadas. • Hasta la menor chispa puede hacer que estos combustibles se enciendan y causen una explosión. • NO encienda un cigarrillo o fume. 	

La información que se encuentra a continuación sirve para asistir a los técnicos especializados en sistemas de combustibles gaseosos en la planificación de las instalaciones. En ninguna circunstancia esta información debe interpretarse en forma contraria a los códigos aplicables a temas de gas combustible. Consulte al proveedor de combustible local o al supervisor del departamento de bomberos si surgen problemas o preguntas.

AL INSTALADOR: Antes de aplicar estas pautas generales, consulte al propietario del sistema de generador de doméstico y comuníquelo cualquier factor técnico a tener en cuenta que pudiera influir en sus planes de instalación.

Las siguientes son reglas generales que se aplican a las cañerías utilizadas en los sistemas de combustible gaseoso:

- Las tuberías deben ser de un material que cumpla los reglamentos nacionales y locales y deben montarse rígidamente y protegerse contra las vibraciones.
- Los tubos deben estar protegidos contra daños físicos cuando pasen por arriates de flores y arbustos y por otras zonas cultivadas.

- Instale el tubo flexible para gases (suministrado) entre la entrada de combustible del sistema de generador de doméstico y los tubos rígidos para evitar que la expansión o contracción térmica someta a un exceso de presión a los tubos.

NOTA: En caso de peligro de terremoto, tornado, inestabilidad del terreno o inundación, se recomienda adoptar medidas especiales para mejorar la resistencia y flexibilidad de los soportes y las conexiones de los tubos.

⚠ PRECAUCIÓN

El cañería de gas flexibles no se debe instalar en forma subterránea ni se debe utilizar en contacto con el suelo.

- Todo el conector flexible debe mantenerse visible para realizar inspecciones periódicas y no se lo debe ocultar dentro o en contacto con o a través de ninguna pared, piso o división.
- La dimensión de los tubos debe ser la adecuada para mantener la presión y el caudal suficientes en distintas condiciones de carga del generador, con todos los equipos de gas conectados al sistema de combustible y en funcionamiento.
- Utilice un compuesto sellador o apto para juntas aprobado para cañerías en todos los accesorios adaptadores roscados. Se reducirán así las posibilidades de fugas.
- Las cañerías instaladas deben ser adecuadamente purgadas y se debe verificar que no tengan fugas, de acuerdo con las normas y los códigos correspondientes.

⚠ ADVERTENCIA



El Gas Natural y el Propano son extremadamente inflamables y explosivos.



El fuego o una explosión pueden causar quemaduras severas e inclusive la muerte.

- Antes de poner en servicio el sistema de generador de doméstico, se deben purgar las líneas del sistema de combustible y se debe probar si presentan pérdidas.
- No se debe permitir que se produzca ninguna pérdida.

Tenga en cuenta los siguientes factores cuando planifique la instalación del sistema de suministro de combustible:

El motor del sistema de generador de doméstico está provisto de un sistema carburador de combustible que cumple con las especificaciones del California Air Resources Board para sistemas de combustibles duales. La unidad puede funcionar a gas natural o propano licuado.

- Se debe instalar como mínimo una válvula de paso manual homologada y accesible en el conducto de suministro de combustible a menos de 1,8 m (6 pies) del sistema de generador de doméstico. Se instalará una unión o conexión con brida entre la válvula y el equipo para facilitar el desmontaje de los mandos.

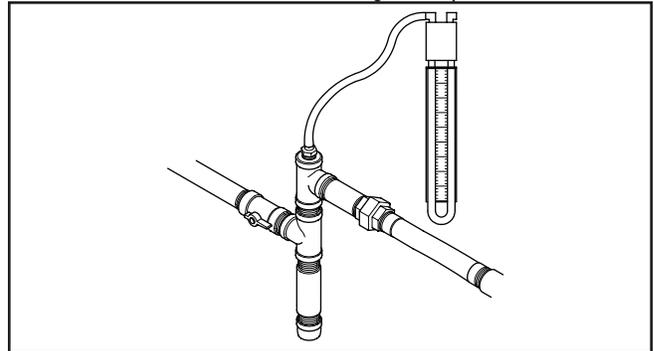
- La presión de suministro de gas natural en la entrada de combustible del generador debe estar entre 5 y 7 pulgadas de columna de agua con carga completa.
- La presión de suministro de LP debe estar entre 11 y 14 pulgadas de columna de agua con carga completa.

El generador doméstico se ha configurado en fábrica para funcionar con gas natural o gas LP. No es posible convertir la unidad de gas natural a gas LP o viceversa.

Es conveniente que la conexión de combustible incorpore los siguientes componentes:

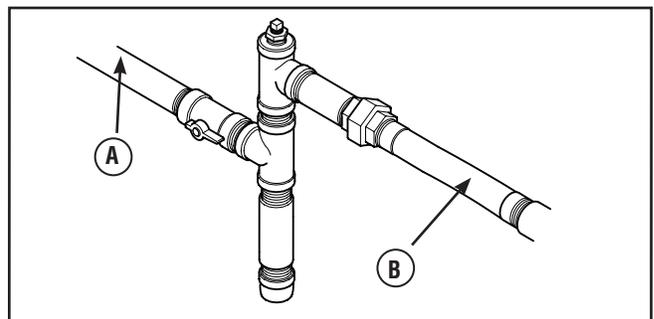
- Una válvula de cierre manual de combustible ubicada en el interior del edificio.
- Una válvula de cierre manual de combustible ubicada fuera del edificio, justo antes del generador.
- En caso de peligro de formación de hidratos o hielo, los tubos se deberán proteger contra la congelación. En uno de los extremos del circuito de tubos rígidos debe haber un depósito de sedimentos en el que no se congele el vapor de agua condensado.
- Se debe contar también con una abertura para manómetro.

La abertura para el manómetro permite la instalación transitoria de un manómetro para asegurar que el motor reciba la presión de combustible apropiada para funcionar en forma eficiente durante todo el rango de operación.



NOTA: Puede adquirir un manómetro digital (Ref. 19495) en su centro de servicio local.

Una vez finalizadas las pruebas de funcionamiento iniciales, se retira el manómetro y el orificio se tapona. En la ilustración, se muestra una conexión típica de combustible, donde (A) es el conducto de suministro y (B) va hasta el generador doméstico.



Consumo de Combustible

A continuación, se muestran los requisitos estimados de suministro de combustible a plena y media carga de gas natural y vapor de LP.

	Gas Natural		Vapor de PL	
	1/2 Carga	Carga completa	1/2 Carga	Carga completa
18kW	160 C	293 C	N/A	N/A
	160,000 B	293,000 B	N/A	N/A
20kW	N/A	N/A	70.4 C	141.5 C
	N/A	N/A	176,825 B	353,650 B

C = en pies cúbicos por hora
B = BTU por hora

Dimensiones de la Cañería de Combustible

Las tablas siguientes indican la capacidad máxima del tubo en pies cúbicos de gas por hora para presiones de gas de 0,5 psi o inferiores y una caída de presión de 0,3 pulgadas en la columna de agua. Se indica la densidad específica del gas.

En los valores indicados se ha tenido en cuenta una cantidad normal de restricciones debidas a curvas, accesorios, etc. Si se utiliza un número inusual de accesorios, curvas u otras restricciones, consulte los reglamentos nacionales y locales.

NPT	10ft	15ft	20ft	30ft	40ft	50ft	60ft	70ft	80ft	90ft	100ft
3/4"	346	293	240	192	163	145	132	120	113	106	99
1"	653	549	446	360	307	274	250	230	211	197	187

Tamaño del tubo de gas natural - Diagrama de flujo de gas, en pies cúbicos por hora, densidad específica=0,65

NPT	10ft	15ft	20ft	30ft	40ft	50ft	60ft	70ft	80ft	90ft	100ft
3/4"	277	192	158	126	107	95	87	79	74	69	65
1"	428	360	293	236	202	180	164	151	139	129	123

Tamaño del tubo de propano líquido (LP) - Diagrama de flujo de gas, en pies cúbicos por hora, densidad específica=1,50

Tamaño del Tanque de Propano Requerido

Considerando la tasa de consumo de gas y la temperatura mínima promedio durante el invierno, un instalador puede especificar el tamaño necesario del tanque de almacenamiento de PL:

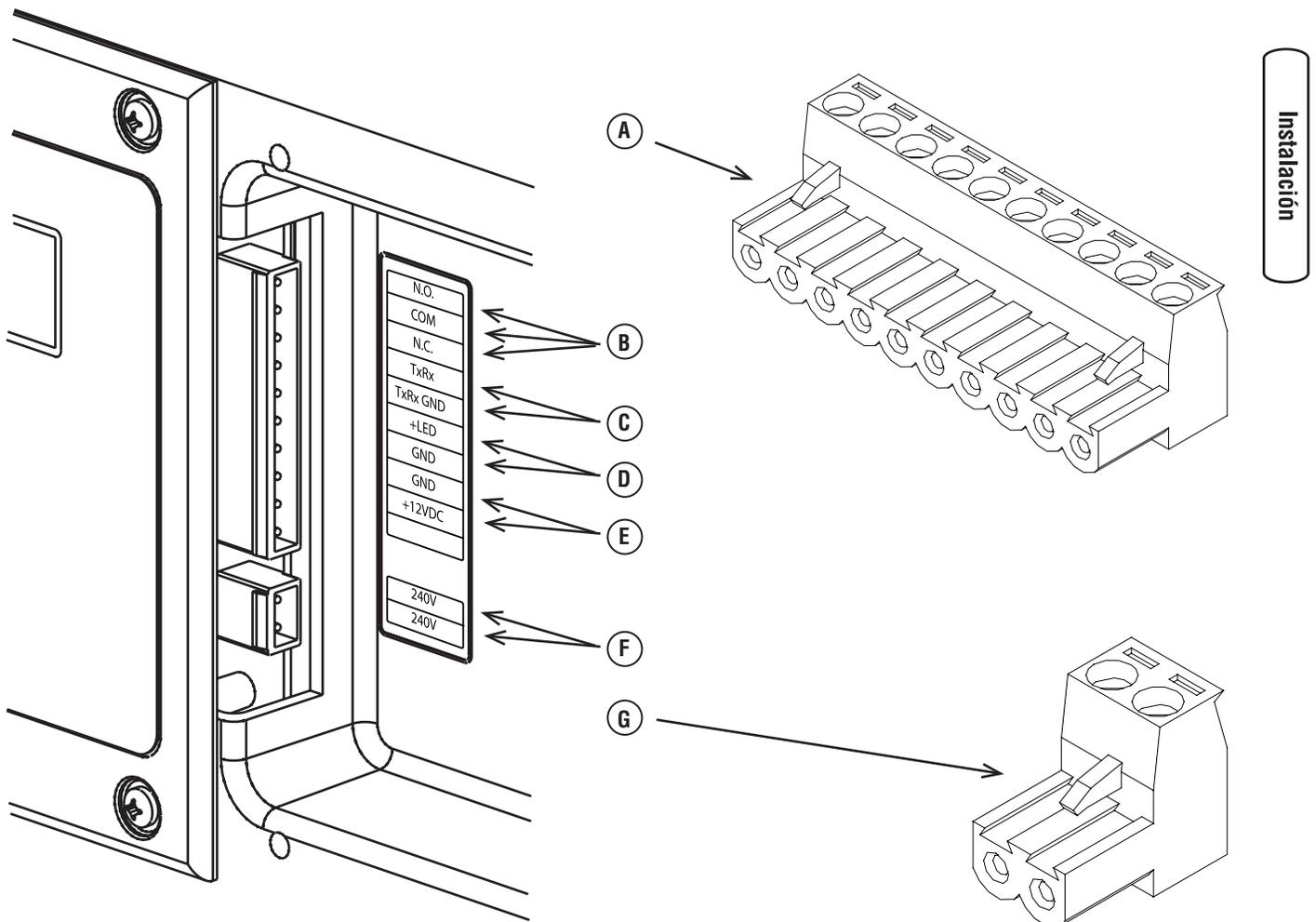
Tasa de consumo	32° F	20° F	10° F	0° F	-10° F	-30° F	-40° F
50 pies cúbicos/h	115	115	115	250	250	400	600
100 pies cúbicos/h	250	250	250	400	500	1000	1500
150 pies cúbicos/h	300	400	500	500	1000	1500	2500
200 pies cúbicos/h	400	500	750	1000	1200	2000	2500
300 pies cúbicos/h	750	1000	1500	2000	2500	4000	5000

Propiedades físicas	Vapor de PL	Gas Natural
Estado normal a presión atmosférica	Gas	Gas
Punto de ebullición (en °F): Inicia Fina	-44 -44	-259 -259
Poder calorífico: BTU por galón (LHV Neto*) BTU por galón (bruto**) Pies cúbicos (gas)	83,340 91,547 2,500	63,310 1,000
Densidad***	36.39	57.75
Peso†	4.24	2.65
Número de octanos: De investigación Motor	110+ 97	110+

* LHV (poder calorífico inferior) es el valor nominal más realista.
** El poder calorífico bruto no considera la pérdida de calor en forma de agua durante la combustión.
*** La densidad se expresa en "Pies Cúbicos de Gas por Galón de Líquido".
† El peso se indica en "Libras por Galón de Líquido".

Conexiones de Sistema

A excepción de los conectores de salida de alimentación y conexión a tierra, todas las conexiones de señalización son tomas de dos o diez patillas. Compare la ilustración con su generador para familiarizarse con la ubicación de estas importantes conexiones:



A - Cableado para toma de 10 polos:

B - Contactos de fallo - Utilice NO, COM y NC para conectar una sirena, un indicador luminoso u otro dispositivo de aviso para los casos de fallo. Los contactos cambian de estado cuando se presenta una condición de fallo.

C - Comunicación con el conector - Utilice TxRx y TxRx GND y la unidad inalámbrica opcional StatStation™ para monitorizar las funciones del generador.

D - Salida de LED remoto - Utilícela para conectar el LED remoto adicional que se suministra con el generador. El LED remoto parpadeará si se detectan determinadas averías en el generador.

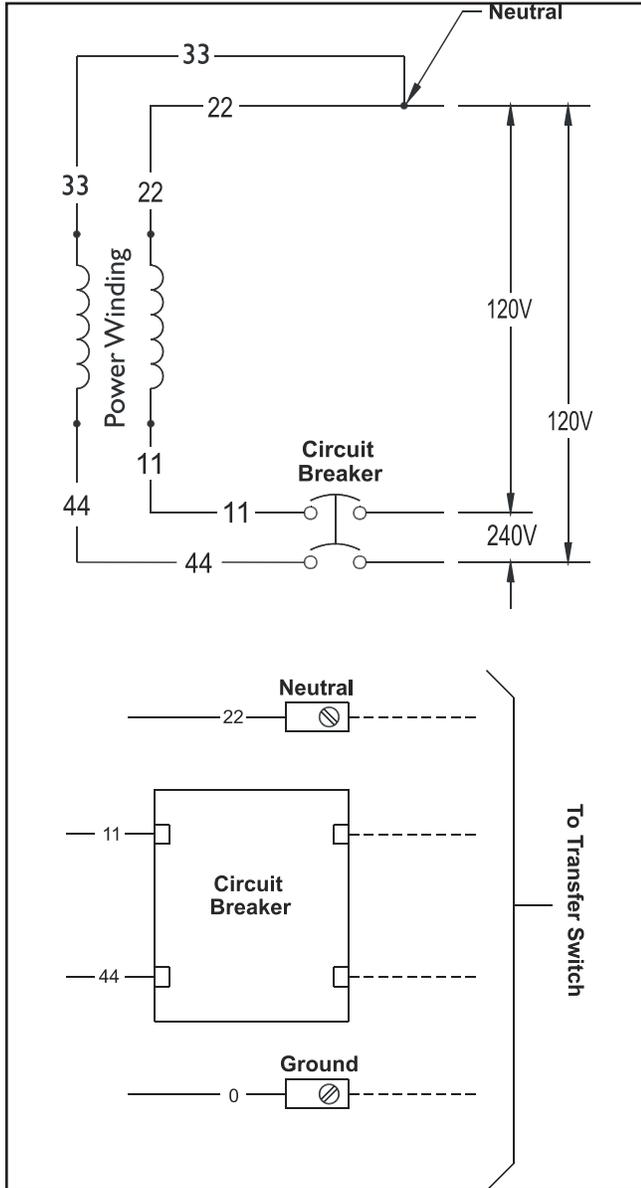
E - Salida de +12 V CC y 0,5 A - Fuente de alimentación interna.

F - 240 V de servicio - Para conectar los cables de servicio de 240 V del conector al generador.

G - Cableado para toma bipolar

Sistema de Conexión de c.a. del Generador

En el sistema de generador de doméstico se utiliza un sistema de conexión monofásico de CA de tres hilos. El conjunto del estator consta de un par de devanados estacionarios con dos terminales que salen de cada devanado. La unión de los conductores 22 y 33 forma el neutro, como se muestra en el diagrama siguiente. El manual ilustrado de componentes incluye un esquema completo y un diagrama de conexiones.



NOTA: El neutro no está conectado a tierra en el generador.

Conexión a Tierra del Generador

Conecte a tierra el sistema de generador de doméstico con arreglo a los códigos y normas vigentes. El terminal **GND** (tierra) del generador está situado en el interior de la puerta del panel de control, bajo la tapa del interruptor.

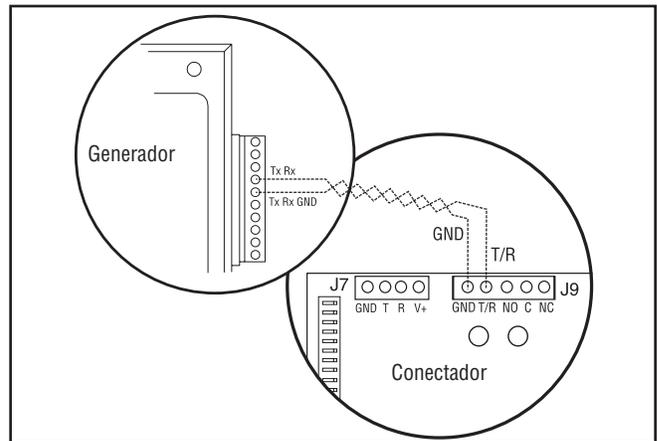
Interconexiones del Circuito de Control

Los cables "240V Utility" (servicio de 240 V) se deben pasar a través del conducto. "240V Utility" suministra potencia a la tarjeta de circuito impreso del generador, el calentador opcional de la batería y de aceite y el cargador de la batería. El generador arrancará cuando se interrumpa la alimentación de servicio.

Conecte cada terminal del circuito de control del generador al conector automático. Para ello, utilice el conector bipolar incluido y cable de cobre 14 AWG de 300 V, como mínimo, suministrado por el instalador.

Comunicación del conector

Utilizando conductores de par torcido 18 AWG, con una longitud máxima de 61 m, conecte los terminales Tx Rx y Tx Rx Ground desde el panel de control del generador a los terminales GND y T/R en la tarjeta de control del conector.



Sistema de Detección de Fallas

El panel de control del generador incluye una pantalla digital que muestra los códigos de fallo. Mostrará un código de fallo cuando el generador detecte determinados fallos. Se suministra un LED adicional y una placa de montaje que se pueden instalar en un punto interior adecuado. Parpadeará si se detectan determinadas averías en el generador. Consulte la sección *Sistema de detección de fallos* en el manual del operario para obtener más información.

El propietario lo utilizará para observar el estado del generador. Consulte con él la ubicación más adecuada. Sitúe el cuadro eléctrico en una zona visible para el propietario; por ejemplo, cerca del abrigo o del panel de control de seguridad de una puerta de garaje.

Para instalar el panel del LED remoto:

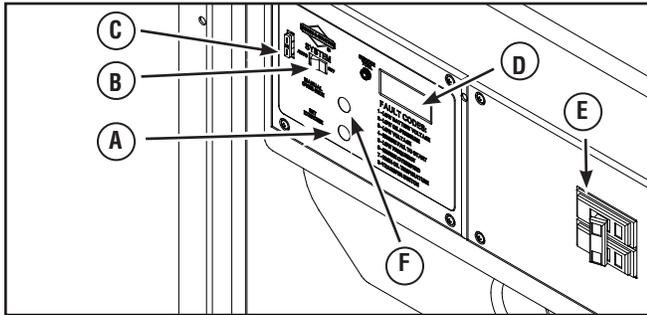
1. Presione el LED a través de la placa de montaje desde la parte delantera hasta que encaje en su posición.

IMPORTANTE: El LED es sensible a la polaridad.

2. Conecte el LED remoto a la conexión +LED y GND de la tarjeta de control del generador. Para ello, utilice el conector de 10 polos incluido y cable 18 AWG, como mínimo, suministrado por el instalador. Utilice tuercas para fijar el cable al LED.
3. Conecte la placa de montaje a la caja eléctrica de bajo voltaje proporcionada por el instalador.

Panel de Control del Sistema

A continuación se muestra el panel de control del generador doméstico, situado en el interior del cuerpo del generador.



Breve descripción de los mandos utilizados durante la instalación:

- A - Interruptor Set Exercise (Preparar prueba): permite preparar el ciclo de prueba.
- B - Conmutador del sistema: alterna entre los modos OFF y AUTO.
- C - Fusible de 15 A: protege los circuitos de control de CC.
- D - Pantalla digital: muestra los códigos de tiempo de ejecución y de error.
- E - Disyuntor: debe estar en la posición ON para suministrar energía al conector.
- F - Conmutador de cancelación manual: activa y desactiva el generador.

Para obtener más información, consulte la sección *Mandos* del manual del operario.

Conmutador del sistema

Este dispositivo de dos posiciones es el control más importante en el sistema. Se utiliza de la siguiente manera:

- La posición “**AUTO**” es la posición normal funcionamiento. Si se detecta una interrupción de la alimentación eléctrica de la red, el sistema hace que arranque el generador. Cuando se restablece la alimentación eléctrica de la red, el sistema espera a que se estabilicen las temperaturas internas del motor, para el generador y se pone en estado de espera para la próxima vez que se interrumpa la alimentación eléctrica.
- La posición “**OFF**” hace que se pare el generador, impide el arranque de la unidad y reinicializa cualquier fallo detectado.

Fusible de 15 Amperios

El circuito de control de c.c. del sistema de generador de doméstico está protegido contra las sobrecargas mediante un fusible de 15 Amperios montado en el panel de control del generador. Si el fusible está “quemado” (fundido abierto) o si se ha retirado, el motor no se puede arrancar ni arrancar manualmente en forma lenta. Cambie el fusible por otro idéntico: ATO de 15 A. Con la unidad se incluye un fusible de repuesto.

Consideraciones finales para la instalación

Aceite de Motor

AVISO

Cualquier intento para arrancar el motor antes de haberle proporcionado el mantenimiento apropiado con el aceite recomendado, podría ocasionar la falla del motor.

- Consulte el manual del operario del motor para añadir al motor el aceite y el combustible recomendado.
- El daño a la generador, resultado de la desatención a esta precaución, no será cubierto por la garantía.

El motor se entrega configurado en fábrica y lleno de aceite sintético (API SJ/CF 5W-30W), lo que permite que el sistema funcione en la gama más amplia de condiciones de temperatura y climáticas. Antes de ponerlo en marcha, compruebe el nivel de aceite y asegúrese de que se sigan los procedimientos de mantenimiento descritos en el manual del operario.

NOTA: El hecho de utilizar **aceite sintético NO** modifica los intervalos de cambio de aceite necesarios descritos más adelante en la sección dedicada a mantenimiento en la manual del motor.

Batería

El sistema de generador de doméstico se suministra con una batería con regulación por válvulas, tipo AGM de 12 V CC, 600 CCA, 55 Ah. Es una batería estanca de plomo-ácido recargable. La batería se suministra instalada en la unidad y sus cables se conectan en fábrica. El fusible de 15 A, que aísla la batería e impide el arranque de la unidad, se quita para el transporte. El batería que perderá parte de su carga antes de la instalación del generador. Si la tensión es inferior a 12 V, cargar la batería antes de la instalación. Consulte el apartado *Batería* en la sección *Mantenimiento* del manual del operario.

IMPORTANTE: Si la tensión de la batería es inferior a 5 V, puede que no admita carga y que necesite una nueva batería.

Sistema de Suministro de Combustible

Asegúrese de que todas las conexiones de la cañería de combustible estén ceñidas, firmes y que no presenten pérdidas.

Asegúrese de que todas las válvulas de cierre de la línea de gas estén abiertas (OPEN) y que la presión de combustible sea la adecuada.

Arranque inicial (sin carga)

Antes de poner en funcionamiento el generador doméstico, inspeccione detenidamente toda la instalación.

A continuación, pruebe el sistema sin ninguna carga eléctrica conectada, como se indica a continuación:

1. Fije el interruptor de potencia principal del generador en la posición **ON** (cerrada).
2. **Instale el fusible de 15 Amperios en el panel de control.**
3. Fije el conmutador del sistema del generador en la posición **AUTO**.
4. Pulse el conmutador MANUAL OVER-RIDE (CANCELACIÓN MANUAL) del panel de control.

NOTA: Cuando el sistema de generador de doméstico se arranca por primera vez, es necesario purgar el aire de las líneas de combustible gaseoso. Esto puede tardar algunos minutos.

5. NO intente arrancar el motor durante más de 10 segundos. Tras cada intento, haga una pausa de 10 segundos para evitar el sobrecalentamiento del sistema de arranque.
6. Repita el proceso hasta que arranque el motor.
7. Escuche si se oyen ruidos anormales o si se observa vibración u otros indicios de funcionamiento anormal. Compruebe si se produce alguna fuga de aceite durante el funcionamiento del generador.
8. Deje que el motor se caliente durante aproximadamente cinco minutos para permitir que las temperaturas internas se estabilicen.
9. Conecte un voltímetro de c.a. preciso y un medidor de frecuencia para verificar la salida del generador en las orejetas terminales de conexión al generador (emergency/generator connection) en el conmutador de transferencia automático. La tensión debe estar entre 239 y 262 Voltios y la frecuencia entre 62.0 y 62.5 Hz.

NOTA: Si alguno de los parámetros está fuera de estos rangos, lleve a cabo los ajustes del motor que se describen en la sección *Ajustes del motor*.

10. Verifique la salida del generador entre una de las orejetas terminales de conexión al generador (emergency/generator connection) y la orejeta terminal de conexión al neutro, luego entre la otra orejeta de conexión al generador (GENERATOR CONNECTION) y la orejeta terminal de conexión al neutro. En ambos casos, las lecturas de tensión deben estar entre 119 y 131 Voltios.
11. Pulse y tiene el conmutador MANUAL OVER-RIDE (CANCELACIÓN MANUAL) del panel de control hasta paradas de motor.

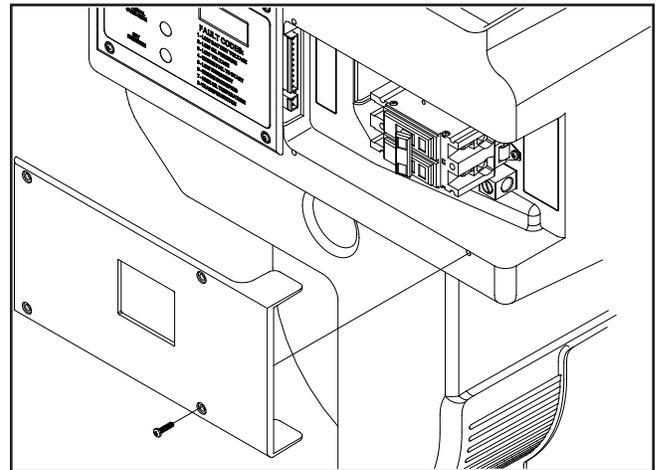
IMPORTANTE: NO siga avanzando hasta que no esté seguro de que la tensión de c.a. del generador y la frecuencia sean las correctas y se encuentren dentro de los límites establecidos. Para obtener la frecuencia apropiada del generador, consulte la sección *Ajustes del motor*.

Ajuste del Motor

Hay variaciones regionales en la composición del gas natural. Cada unidad HGS se ajusta en fábrica para funcionamiento con gas natural. Si la tensión de salida del generador o la frecuencia medidas durante el *arranque inicial* (párrafo 9) están fuera de los intervalos admisibles, la combustibilidad del gas suministrado en el lugar de instalación puede ser sustancialmente distinta.

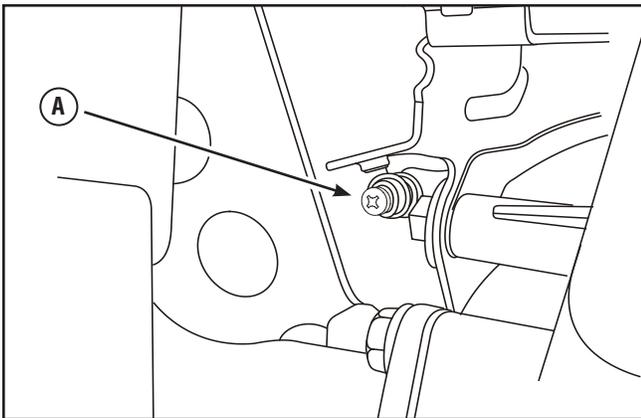
Para ajustar el motor para este combustible diferente, haga lo siguiente.

1. Abra la puerta de vaciado de aceite y la puerta de acceso al panel de control.
2. Quite los cuatro tornillos que sujetan la tapa del interruptor a la protección de la admisión de aire.



3. Conecte un medidor de frecuencia de precisión del lado de carga del interruptor principal del generador.
4. Asegúrese de que el fusible de 15 Amperios se encuentre instalado.
5. Fije el interruptor de potencia principal del generador en **ON**.
6. Sitúe el conmutador del sistema del generador en la posición **AUTO**.
7. Pulse el conmutador MANUAL OVER-RIDE (CANCELACIÓN MANUAL) del panel de control. Cuando el motor arranque, déjelo calentar durante cinco minutos.

- La frecuencia normal sin carga es de 62,0 a 62,5 Hz. Si es necesario realizar un ajuste sin carga, gire lentamente hacia la derecha y/o la izquierda la tornillo de ajuste del regulador (**A**) hasta que la frecuencia se sitúe entre 62,0 y 62,5 Hz.



- Pulse y tiene el conmutador MANUAL OVER-RIDE (CANCELACIÓN MANUAL) del panel de control hasta paradas de motor.
- Sitúe el seccionador de servicio del conector en la posición “OFF” (abierto). El conector se conectará al generador después de un breve período de tiempo.
- Cargue el generador a plena carga.
- Conecte un medidor de frecuencia de precisión del lado de carga del interruptor principal del generador. La frecuencia debe ser superior a 57,0 Hz.
- Si la frecuencia es inferior a 57,0 Hz, gire lentamente hacia la derecha el tornillo de ajuste del regulador hasta que la frecuencia sea superior a 57,0 Hz.
- Sitúe el seccionador de servicio del conector en la posición “On” (cerrado). El conector se conectará a la red pública después de un breve período de tiempo.
- Una vez que se pare el motor:
 - Si se realizó un ajuste en el paso 13, repita los pasos del 3 al 9.
 - Si no se realizó un ajuste en el paso 13, siga en el paso 16.

IMPORTANTE: Si la frecuencia sin carga es inferior al parámetro sin carga después de realizar el ajuste a plena carga, póngase en contacto con un centro de servicio autorizado.

- Vuelva a montar la tapa del interruptor en la protección de la admisión de aire.
- Cierre la puerta de vaciado de aceite y la puerta de acceso al panel de control.

Mandos

Todos los mandos del sistema generador se describen en el manual del operario. Consúltelo para obtener información detallada.

Utilización

Secuencia de operación automática

El panel de control del generador aloja una plaqueta de control lógico. Esta plaqueta de control supervisa constantemente la tensión de origen de energía de la compañía proveedora de electricidad. Si esa tensión cae por debajo de un nivel preestablecido, la acción de la plaqueta de control indica al motor que arranque.

Cuando se restablece la tensión de origen de la compañía proveedora de electricidad por encima de un nivel de tensión preestablecida, se indica al motor que se apague.

La operación real del sistema no se puede ajustar y se divide en secuencias mediante sensores y temporizadores en la plaqueta de control, de la siguiente manera:

Sensor de caída de tensión de la compañía proveedora de electricidad

- Este sensor supervisa la tensión de origen de la compañía proveedora de electricidad.
- Si la tensión de origen de la compañía proveedora de electricidad cae por debajo de aproximadamente el 70 por ciento de la tensión de suministro nominal, el sensor energiza un temporizador de 10 segundos. El temporizador se utiliza para detectar caídas de tensión.
- Una vez transcurrido el tiempo del temporizador, el motor arranca en forma manual.

Sensor de excitación de tensión de la compañía proveedora de electricidad

Este sensor vigila la tensión de alimentación de la red. Cuando se restablece la tensión alcanzando un valor superior al 80% de la tensión nominal, se pone en marcha un temporizador y el motor sigue funcionando durante un tiempo para enfriarse.

Temporizador de enfriamiento del motor

- Cuando la carga se transfiere nuevamente a la fuente de energía de la compañía proveedora de electricidad, comienza el conteo de tiempo del temporizador de enfriamiento del motor.
- El temporizador funciona durante aproximadamente un minuto, luego el generador se apaga.
- El tiempo mínimo de funcionamiento del motor es de 5 minutos.

Configuración del temporizador de práctica

El sistema de generador de doméstico está equipado con un temporizador de práctica que arranca el sistema y lo prueba una vez cada siete días. Durante este período de práctica, la unidad trabaja durante aproximadamente 20 minutos y luego se apaga. Durante el ciclo de práctica NO se produce la transferencia de cargas eléctricas (a menos que se produzca un corte en el suministro de la compañía proveedora de electricidad).

En el panel de control se encuentra un interruptor rotulado “Set Exercise” (configurar práctica) en la sección *Panel de Control del Sistema*. El día y la hora específicos en que se presiona este interruptor se programa en la memoria del panel de control. El LED del panel de control parpadeará hasta que se active la prueba.

Para llevar a cabo el procedimiento para configurar la práctica (Set Exercise):

1. Elija el día y la hora en que desea que se realice la práctica del sistema de generador de doméstico.
2. Ese día y a esa hora, pulse y mantenga pulsado el conmutador “Set Exercise” (Preparar prueba) durante tres segundos.

NOTA: El LED parpadeará hasta que el conmutador se mantenga pulsado tres segundos. A continuación, el LED se encenderá durante cinco segundos y se apagará.

Por ejemplo, si presiona el interruptor “Set Exercise” el domingo a las 10 de la mañana, la unidad realizará un ciclo de práctica el próximo domingo a las 10 de la mañana.

NOTA: La función de configuración de práctica (“Set Exercise”) sólo funciona si la unidad se encuentra en el modo Automático y si se cumple este procedimiento en forma estricta. El dispositivo de prueba deberá rearmarse si el fusible de 15 A se cambia o retira o si la batería de 12 V CC se desconecta.

Si desea cambiar el día y la hora en que se realiza la práctica de la unidad, simplemente realice el procedimiento de configuración de práctica (“Set Exercise”) exactamente el día de la semana y a la hora en que desea que se lleve a cabo.

Inspección posterior a la instalación

Siga la “Lista de comprobaciones de la instalación” a medida que realiza la inspección. Asegúrese de haber completado todos los elementos y obtenido todas las firmas. Indique al propietario que envíe la copia blanca a:

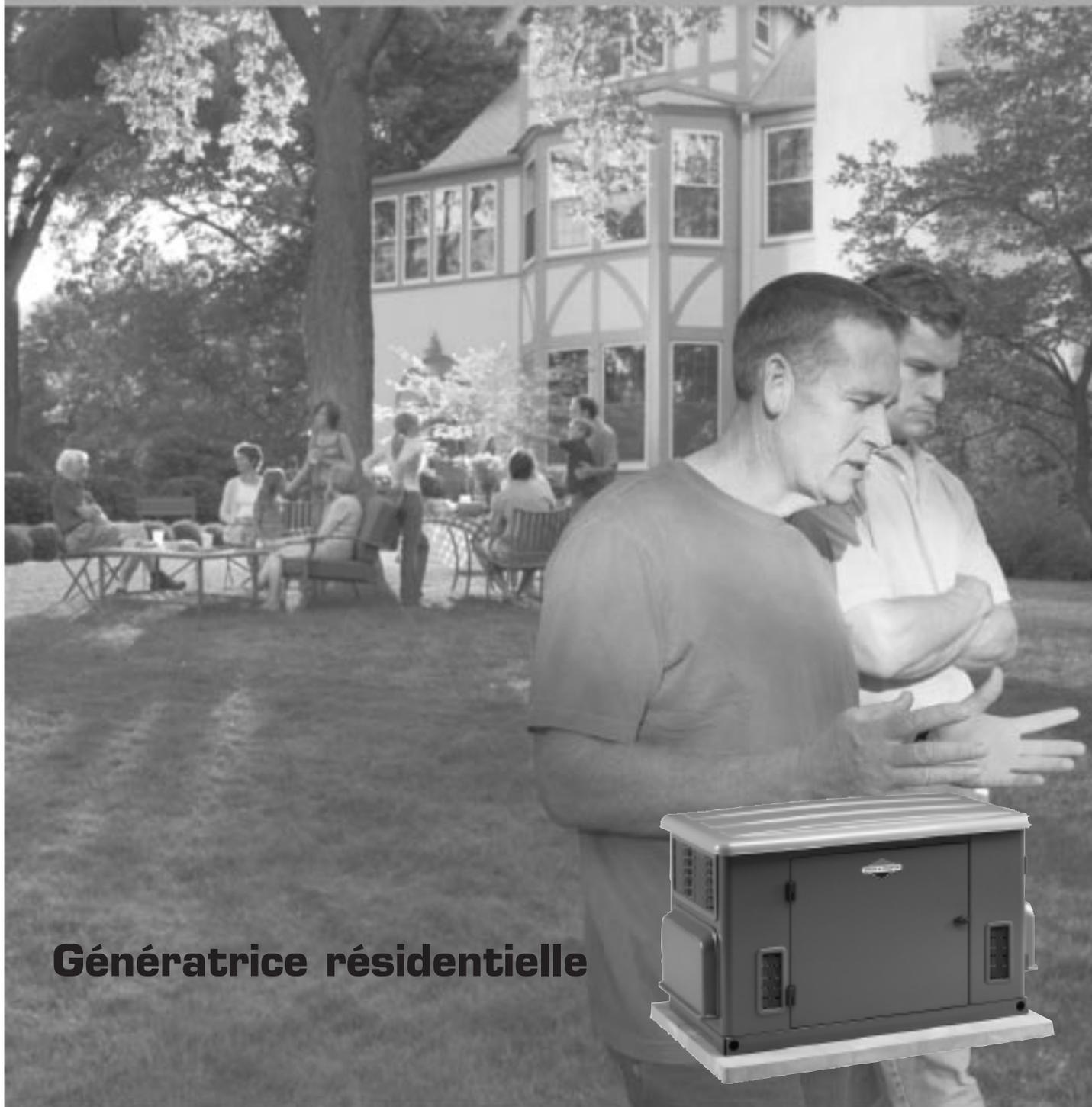
Briggs & Stratton Power Products
 Warranty Registration
 P. O. Box 239
 Jefferson, Wisconsin 53549-0239

El manual del operario contiene información detallada sobre el uso, el mantenimiento y la resolución de problemas.



Home Generator Systems

Manuel d'Installation et Démarrage



Génératrice résidentielle

Merci d'avoir acheté cette génératrice de qualité Briggs & Stratton. Nous sommes heureux que vous fassiez confiance à la marque Briggs & Stratton. Si vous respectez les instructions d'utilisation et d'entretien selon les directives du manuel d'utilisation, vous pourrez vous fier à votre génératrice Briggs & Stratton durant de nombreuses années.

Ce manuel contient des renseignements sur la sécurité pour vous informer des dangers et des risques associés au groupe électrogène ainsi que de la façon de les éviter. Le groupe électrogène est conçu pour être utilisé comme groupe électrogène optionnel fournissant une source d'électricité alternative et pour desservir des charges comme le chauffage, les systèmes de réfrigération et les systèmes de communication qui, lorsqu'ils sont arrêtés durant une panne d'électricité, peuvent causer des inconforts ou inconvénients. Ce produit n'est pas conçu pour être utilisé à d'autres fins et ne se qualifie pas comme génératrice d'urgence tel que défini par la NFPA 70 (NEC).

Cette génératrice résidentielle auxiliaire nécessite une installation professionnelle avant l'utilisation. Ce manuel d'installation vous donne des informations complètes. Suivez ces directives à la lettre. **Conservez ces instructions pour référence future.**

Où nous trouver

Vous n'aurez jamais à chercher bien loin pour trouver un centre de support et service Briggs & Stratton pour votre génératrice. Consultez les Pages Jaunes. Il y a plus de 30 000 distributeurs de service après-vente agréés Briggs & Stratton dans le monde qui offrent un service de qualité. Vous pouvez aussi téléphoner au Service à la clientèle de Briggs & Stratton au **(800) 743-4115** ou utiliser notre Outil de recherche à BRIGGSandSTRATTON.COM, qui procure une liste des détaillants autorisés de Briggs & Stratton.

Date d'achat

Génératrice

Numéro de modèle

Révision

Numéro de série

Moteur

Numéro de modèle

Briggs & Stratton Power Products Group, LLC
900 North Parkway
Jefferson, WI 53549

Copyright © 2008 Briggs & Stratton Power Products Group, LLC. Tous droits réservés. Aucune partie de ce manuel ne peut être reproduite ou transmise sous n'importe quelle forme et par quelque moyen que ce soit sans l'autorisation expresse écrite de Briggs & Stratton Power Products Group, LLC.

Table des matières

Directives de sécurité importantes	4
Installation	7
Description de l'équipement	7
Responsabilités de l'Installateur	7
Précautions Lors du Déballage	7
Vérification de la Livraison	7
Contenu de la Boîte	7
Emplacement du Génératrice d'état d'Attente	8
Directives Générales Concernant l'Emplacement	8
Soulèvement de la Génératrice	9
Portes d'Accès	10
Le système de combustible gazeux	10
Consommation de Combustible	12
Grosseur du Tuyau de Combustible	12
Dimension du Réservoir de Propane Nécessaire	12
Connexions de système	13
Système de Branchement C.A. de la Génératrice	14
Mise à la Masse de la Génératrice	14
Interconnexions du Circuit de Commande	14
Communication du commutateur de transfert	14
Système de Détection des Pannes	14
Tableau de Commande du Système	15
Considérations pour l'installation finale	15
Système d'Alimentation en Combustible	15
Démarrage initial (sans charge)	16
Réglage du Moteur	16
Commandes	18
Fonctionnement	18
Séquence de fonctionnement automatique	18
Réglage de la minuterie de cycle d'exercice	18
Vérification installation	18

Sécurité

Instalación

Commandes

Fonctionnement

Veillez conserver ces instructions

Directives de sécurité importantes

Le symbole indiquant un message de sécurité (▲) est accompagné d'un mot indicateur (DANGER, ATTENTION, AVERTISSEMENT), d'un message illustré et/ou d'un message de sécurité visant à vous avertir des dangers.

DANGER indique un danger qui, s'il n'est pas évité, provoquera des blessures graves, voire fatales.

AVERTISSEMENT indique un danger qui, s'il n'est pas évité, peut provoquer des blessures graves, voire fatales.

ATTENTION indique un danger qui, s'il n'est pas évité, peut provoquer des blessures mineures ou légères. Le mot **AVIS** indique une situation pouvant endommager l'équipement. Suivez les messages de sécurité pour éviter ou réduire les risques de blessures ou de mort.

Le présent guide contient des instructions relatives à l'installation et au démarrage de systèmes de génération résidentiels pour les appareils fonctionnant sous 120 et/ou 240 volts, monophasés, 60 Hz. Le groupe électrogène peut fonctionner avec du pétrole liquéfié ou du gaz naturel. Un manuel d'utilisation séparé (pièce N° 202827GS) comprend les caractéristiques ainsi que les instructions d'utilisation et d'entretien de cette génératrice.

Tout a été fait pour s'assurer que les renseignements contenus dans le présent guide soient exacts et à jour. Toutefois, le fabricant se réserve le droit de changer, de modifier ou encore d'améliorer le système en tout temps, et ce, sans préavis.

Symboles de Danger et Moyens



▲ AVERTISSEMENT



Les batteries d'accumulateur produisent du gaz hydrogène explosif lorsqu'elles se rechargent.

La plus petite étincelle enflammera l'hydrogène et provoquera une explosion.



Le liquide d'électrolyte de l'accumulateur contient de l'acide et est extrêmement caustique.



Le contact avec le liquide de l'accumulateur provoquera de graves brûlures chimiques.

Toute batterie présente un risque de choc électrique et de courant de court-circuit élevé.

- NE jetez PAS la batterie dans le feu.
- Ne laissez aucune flamme, étincelle, source de chaleur ou cigarette allumée pendant ou plusieurs minutes suivant la charge de l'accumulateur.
- N'ouvrez PAS ni N'endommagez la batterie.
- Portez des lunettes de protection, un tablier et des gants en caoutchouc.
- Enlevez votre montre, vos bagues et tout autre objet de métal.
- Utilisez des outils avec des poignées isolées.

▲ AVERTISSEMENT



Le moteur, lorsqu'il fonctionne, produit du monoxyde de carbone, un gaz toxique inodore et incolore.

L'inhalation du monoxyde de carbone peut causer des maux de tête, de la fatigue, des étourdissements, le vomissement, de la confusion, des crises épileptiques, des nausées, l'évanouissement ou la mort.

- Faites fonctionner le génératrice SEULEMENT à l'extérieur.
- Installez un avertisseur de monoxyde de carbone à piles près des chambres à coucher.
- Évitez que les gaz d'échappement entrent dans un espace restreint, par une fenêtre, une porte, une prise d'aération ou toute autre ouverture.

▲ AVERTISSEMENT

Certains composants de ce produit ainsi que les accessoires reliés contiennent des produits chimiques reconnus par l'État de la Californie comme causant des cancers, des malformations congénitales, ou d'autres problèmes de reproduction. Nettoyez-vous les mains après la manipulation.

⚠ AVERTISSEMENT

L'échappement du moteur de ce produit contient des produits chimiques que l'État de Californie considère comme causant le cancer, des déformations à la naissance ou d'autres dangers concernant la reproduction.

⚠ AVERTISSEMENT

	<p>Le générateur produit une tension élevée. Ne pas relier le générateur à la terre risque de provoquer des électrocutions.</p> <p>NE PAS isoler le générateur de l'installation électrique risque de provoquer des blessures ou même d'être fatal pour les ouvriers électriciens et de causer des dommages au générateur dus à un "backfeed" d'énergie électrique</p>
---	---

- Lorsque vous utilisez le générateur comme source d'énergie de secours, il est nécessaire d'aviser les services publics d'électricité.
- NE touchez PAS les fils dénudés ou les boîtiers.
- N'utilisez PAS le générateur avec des cordons électriques usés, effilochés ou dénudés, ou abîmés de quelque sorte que ce soit.
- NE manipulez PAS le générateur ou les cordons d'alimentation lorsque vous êtes debout dans l'eau, pieds nus ou avec les mains ou les pieds humides.
- Si vous devez travailler autour d'une unité alors qu'elle est en marche, placez-vous sur une surface sèche isolée afin de réduire les risques de choc électrique.
- NE laissez PAS des personnes non qualifiées ou des enfants se servir ou réparer le générateur.
- En cas d'accident causé par un choc électrique, procédez immédiatement à la mise hors tension de l'alimentation électrique et contacter des autorités locales. **Évitez tout contact direct avec la victime.**
- En dépit de la conception sécuritaire du groupe électrogène, le fait d'opérer l'équipement de façon imprudente, de ne pas l'entretenir ou d'être négligent peut causer des blessures et la mort.
- Demeurez alerte en tout temps lorsque vous travaillez sur cet équipement. NE travaillez JAMAIS sur l'équipement si vous êtes fatigué physiquement ou mentalement.
- Avant de procéder à tout entretien sur la génératrice, débranchez tout d'abord le câble de batterie identifié par **NEGATIVE, NEG** ou (-). Rebranchez le câble après avoir terminé.
- Une fois votre génératrice d'état d'attente installée, la génératrice peut se lancer et démarrer sans avertissement lorsque survient une panne électrique. Pour prévenir des blessures potentielles, **AVANT** de travailler sur l'équipement, réglez toujours l'interrupteur de système sur OFF, **ET** enlevez le fusible de 15 Ampères.

⚠ AVERTISSEMENT

	<p>Le gaz propane et le gaz naturel sont extrêmement inflammables et explosifs.</p> <p>Le feu ou l'explosion risque de provoquer des blessures graves, pouvant être fatales.</p>
---	--

- Installez le système d'alimentation de combustible conformément aux codes applicables aux combustibles et aux gaz.
- Avant de mettre en service le génératrice d'état d'attente, il faut purger adéquatement les lignes d'alimentation de combustible et les tester pour les fuites.
- Une fois le système installé, vous devez vérifier le système de combustible sur une base régulière.
- Aucune fuite ne peut être tolérée.
- NE faites PAS fonctionner le moteur si vous sentez une odeur de combustible ou si d'autres conditions d'explosion sont présentes.
- Abstenez-vous de fumer près de la génératrice. Essayez immédiatement tout déversement d'huile. Assurez-vous de ne laisser aucun matériau combustible dans le compartiment de la génératrice. Gardez la zone autour de la génératrice propre et sans débris.

⚠ AVERTISSEMENT

	<p>Tension dangereuse</p> <p>Tout contact avec les lignes d'électricité peut causer un choc électrique ou des brûlures.</p>
	<p>Risque de levage/Objet lourd</p> <p>Peut entraîner un claquage musculaire ou des blessures au dos.</p>

- Si vous utilisez un appareil de levage, prenez garde de NE PAS toucher aux lignes d'électricité.
- NE soulevez ni ne déplacez PAS la génératrice sans aide.
- Utilisez les tuyaux de levage tel que décrit dans la section *Levage de la génératrice*. L'unité peut glisser sur les tuyaux de levage lors du déplacement et ainsi causer des blessures.
- NE soulevez PAS l'unité par sa partie supérieure car cela endommagera la génératrice.

⚠ AVERTISSEMENT

	<p>Démarrateur et autres tournantes peut empêtrer mains, cheveux, vêtement, ou accessoires.</p>
---	---

- N'utilisez JAMAIS un génératrice sans bâti ou couvercles protecteurs.
- NE portez PAS de vêtements lâches, de bijoux ou tout ce qui risquerait d'être pris dans le démarreur ou toute autre pièce rotative.
- Embouteiller des cheveux longs et enlève la bijouterie.

⚠ AVERTISSEMENT

Tout contact avec la zone du silencieux peut causer des brûlures graves.



La chaleur et les gaz d'échappement peuvent enflammer des matériaux combustibles et les structures ainsi que causer un incendie.

- NE touchez PAS aux pièces chaudes et évitez le contact avec les gaz d'échappement.
- Laissez l'équipement refroidir avant de le toucher.
- N'installez PAS la génératrice à moins de 1,5 m (5 pi) de tous matériaux combustibles ou structures comportant des murs combustibles dont le degré de résistance au feu est de moins d'une heure.
- Laissez au moins les distances minimum indiquées dans les *Directives générales concernant l'emplacement* afin de vous assurer d'un refroidissement approprié de la génératrice et des dégagements requis pour l'entretien.
- Le Code of Federal Regulation (CFR) Title 36 Parks, Forests, and Public Property exige que de l'équipement alimenté par un moteur à combustion interne soit doté d'un pare-étincelles et constamment maintenu en bon état fonctionnement, conformément à la norme de service 5100-1C de la USDA Forest ou à une révision de celle-ci. Dans l'État de la Californie, un pare-étincelles est requis en vertu de la section 4442 du California Public Resources Code. Il se peut que d'autres États aient des lois semblables aux terres fédérales. Si vous équipez le silencieux d'un pare-étincelles, il doit être en bon état de fonctionnement.

⚠ ATTENTION

L'installation du fusible pourrait causer le démarrage du moteur.

- Prenez note que, avant l'expédition, le fusible de 15 Ampères a été retiré du panneau électrique.
- N'installez PAS ce fusible avant que toute la plomberie et le câblage n'aient été complétés et vérifiés.

⚠ ATTENTION

Les vitesses de fonctionnement excessivement élevées augmentent les risques de blessure ou risquent d'endommager le génératrice.

Les vitesses extrêmement lentes entraînent une charge importante.

- NE trafiquez PAS la vitesse régulée. Le génératrice produit une fréquence nominale et une tension correctes lorsqu'il fonctionne à une vitesse régulée.
- NE modifiez PAS le génératrice d'aucune façon.

AVIS

Dépassez la capacité de puissance ou d'ampérage du générateur risque d'endommager ce dernier et/ou les autres appareils électriques qui y sont branchés.

- Voir la section *Circuits Essentiels* dans le manuel d'utilisation.
- Démarrez le générateur et laissez le moteur se stabiliser avant de brancher les charges électriques.

AVIS

Un traitement inapproprié du génératrice risque de l'endommager et de raccourcir sa durée d'utilisation.

- Ne vous servez du générateur que pour les utilisations prévues.
- Si vous avez des questions concernant les utilisations prévues, demandez à votre distributeur ou contactez Briggs & Stratton.
- Ne faites fonctionner le générateur que sur des surfaces horizontales.
- Des débits d'air de refroidissement et d'aération adéquats sont nécessaires au bon fonctionnement de la génératrice.
- Lorsque l'unité est en marche, il faut que les portes de l'orifice de remplissage d'huile et d'accès au tableau de commande soient installées.
- N'exposez pas le générateur à une humidité excessive, à de la poussière, à de la saleté ou à des vapeurs corrosives.
- En dépit de la conception sécuritaire du groupe électrogène, le fait d'opérer l'équipement de façon imprudente, de ne pas l'entretenir ou d'être négligent peut causer des blessures et la mort.
- Demeurez alerte en tout temps lorsque vous travaillez sur cet équipement. Ne travaillez jamais sur l'équipement si vous êtes fatigué physiquement ou mentalement.
- Ne démarrez jamais le moteur sans son filtre à air ou sans le couvercle du filtre à air.
- N'insérez aucun objet dans les fentes de refroidissement.
- N'utilisez pas la génératrice ni aucune partie de celle-ci comme palier. Le fait de marcher sur l'unité peut causer des contraintes et briser des pièces. Cela peut résulter en des conditions de fonctionnement dangereuses à cause d'une fuite de gaz d'échappement, de combustible, d'huile, etc.
- Si les appareils branchés sont en surchauffe, éteignez-les et débranchez-les du générateur.
- Arrêtez le générateur si :
 - la puissance électrique est inexistante;
 - l'équipement produit des étincelles, de la fumée ou des flammes;
 - l'unité vibre excessivement.

Installation

Description de l'équipement

Ce produit est conçu pour être utilisé comme groupe électrogène optionnel fournissant une source d'électricité alternative et pour desservir des charges comme le chauffage, les systèmes de réfrigération et les systèmes de communication qui, lorsqu'ils sont arrêtés durant une panne d'électricité, peuvent causer des inconforts ou autre. Ce produit ne se qualifie pas comme groupe électrogène d'urgence tel que défini par la NFPA 70 (NEC).

Responsabilités de l'Acheteur

- Vous devez lire et suivre les instructions indiquées dans le manuel d'utilisation, en particulier la section Sécurité et la section concernant la sélection des circuits essentiels.
- Établissez un programme d'entretien, de soins et d'utilisation régulier de votre groupe électrogène, tel qu'indiqué dans le manuel d'utilisation.

Responsabilités de l'Installateur

- Vous devez lire et respecter les règles de sécurité décrites dans le manuel d'utilisation.
- Vous trouverez à l'intérieur du carton une liste de commutateurs de transfert approuvés par l'UL et compatibles avec le groupe électrogène qui sont recommandés.
- Vous devez lire et suivre les instructions indiquées dans le présent guide d'installation.

IMPORTANT: Nous recommandons d'installer un chauffe-batterie et un réchauffeur d'huile lorsque la génératrice est utilisée à des températures inférieures à 4,5 °C (40 °F). Un chauffe-batterie et un réchauffeur d'huile doivent être installés lorsque la génératrice est utilisée à des températures inférieures à 32°C (0 °F). Ces deux articles sont disponibles auprès de votre commerçant local.

Précautions Lors du Déballage

L'unité est boulonnée à son berceau de montage pour l'expédition et est prête à être branchée. Prenez soins d'éviter les dommages causés par une chute, un choc, une collision, etc. Entrez et déballez la boîte dans le bon sens, tel qu'indiqué sur le carton d'expédition.

 ATTENTION	
	L'installation du fusible pourrait causer le démarrage du moteur.
<ul style="list-style-type: none"> • Prenez note que, avant l'expédition, le fusible de 15 Ampères a été retiré du panneau électrique. • N'installez PAS ce fusible avant que toute la plomberie et le câblage n'aient été complétés et vérifiés. 	

Vérification de la Livraison

Après avoir enlevé le carton, examinez avec soin les éléments de la génératrice pour tout dommage subi durant l'expédition.

IMPORTANT: Au moment de la livraison, si vous remarquez des dommages ou des pièces manquantes, demandez au livreur de noter tous les dommages sur la facture de fret et d'apposer sa signature dans l'espace réservé à cet effet. Après la livraison, si vous remarquez des pièces manquantes ou des dommages, mettez les pièces endommagées de côté et communiquez avec le transporteur pour connaître les procédures de réclamation. Les pièces manquantes ou endommagées ne sont pas garanties.

Contenu de la Boîte

Le Groupe électrogène est Livré avec les éléments Suivants:

- Génératrice de secours
- Berceau de montage préfixé
- Raccord de combustible flexible classé UL569/CSA8.3
- Guide d'installation
- Manuel d'utilisation
- Manuel de listes de pièces illustrées
- Liste de vérification d'installation
- Deux clés pour la porte d'accès
- Quatre bouchons pour les trous de levage
- Bec de remplissage d'huile
- Un fusible de rechange de 15 A
- Prise à deux pôles – 240 V en provenance de la résidence
- Prise à 10 pôles – fils de détection et de contrôle
- Couvercle de l'entrée d'air du moteur
- Couvercle de la génératrice
- Trousse du voyant DEL à distance (DEL rouge/plaque/vis)

Outils/équipements spécialisés nécessaires

- Deux tuyaux à diamètre extérieur de 1 po, de 48 pouces de long (PAS un conduit électrique)
- Poinçons à trous pour acier d'épaisseur 16
- Tournevis à couple, plage de 5 à 50 pouces-livres

Emplacement du Génératrice d'état d'Attente

Avant d'appliquer les présentes directives générales, consultez le propriétaire et faites-lui part de toute considération technique qui pourrait influencer sur ses désirs.

⚠ AVERTISSEMENT	
	La chaleur et les gaz d'échappement peuvent enflammer des matériaux combustibles et les structures ainsi que causer un incendie.
<ul style="list-style-type: none"> N'installez PAS la génératrice à moins de 1,5 m (5 pi) de tous matériaux combustibles ou structures comportant des murs combustibles dont le degré de résistance au feu est de moins d'une heure. Laissez au moins les distances minimum indiquées dans les <i>Directives générales concernant l'emplacement</i> dans le <i>Manuel d'Installation</i> afin de vous assurer d'un refroidissement approprié de la génératrice et des dégagements requis pour l'entretien. 	

Dégagement Autour de la Génératrice

Placez la génératrice dans un endroit bien ventilé qui permet l'élimination des gaz d'échappement mortels. N'installez pas la génératrice dans un endroit où les gaz d'échappement pourraient s'accumuler et pénétrer ou être aspirés dans un édifice qui pourrait être occupé. Assurez-vous que les gaz d'échappement ne puissent entrer par une fenêtre, une porte, une prise d'aération ou une autre ouverture qui pourrait leur permettre de s'accumuler dans un espace restreint. Tenez aussi compte des vents dominants et des courants d'air au moment de choisir l'endroit où vous installerez la génératrice.

⚠ AVERTISSEMENT	
	Le moteur, lorsqu'il fonctionne, produit du monoxyde de carbone, un gaz toxique inodore et incolore. L'inhalation du monoxyde de carbone peut causer des maux de tête, de la fatigue, des étourdissements, le vomissement, de la confusion, des crises épileptiques, des nausées, l'évanouissement ou la mort.
<ul style="list-style-type: none"> Faites fonctionner la génératrice SEULEMENT à l'extérieur. Installez un avertisseur de monoxyde de carbone à piles près des chambres à coucher. Évitez que les gaz d'échappement entrent dans un espace restreint, par une fenêtre, une porte, une prise d'aération ou toute autre ouverture. 	

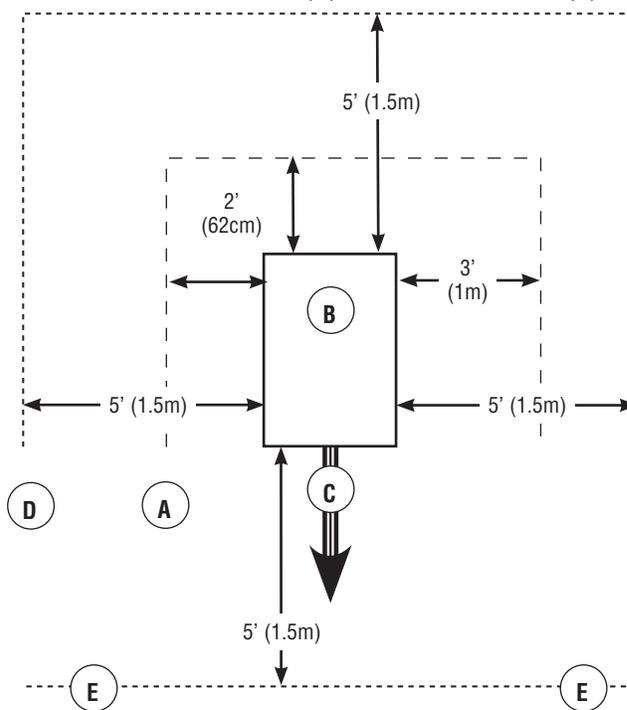
Directives Générales Concernant l'Emplacement

- Installez l'unité à l'extérieur SEULEMENT.
- Placez l'unité dans un endroit préparé à cet effet qui soit plat et muni d'un drain pour l'écoulement des eaux.
- Installer l'appareil dans un endroit où l'évacuation d'une pompe de puisard, l'écoulement des gouttières et du toit, l'irrigation d'aménagement paysagé ou un système de pulvérisation d'eau n'entraînera pas une inondation de l'appareil, l'arrosage du boîtier ou l'entrée d'eau par l'admission d'air ou les ouvertures de sortie.

- Installez l'appareil dans un endroit où l'emplacement de tout service dont le téléphone, l'électricité, la climatisation, l'irrigation, incluant des services recouverts, enfermés et souterrains ne seront pas touchés ou obstrués.
- Installez l'unité là où les ouvertures pour l'entrée et la sortie d'air ne seront pas obstruées par les feuilles, le gazon, la neige, etc. Si des vents dominants causent des bourrasques ou des amoncellements, il faut construire un brise-vent pour protéger l'unité.
- Installez la génératrice aussi près que possible du système automatique de transfert d'énergie afin de réduire la longueur des fils et du conduit.
- Installez la génératrice aussi près que possible de l'alimentation en combustible afin de réduire la longueur des tuyaux.

IMPORTANT: La loi ou les codes locaux peuvent réglementer la distance entre le génératrice d'état d'attente et la source d'alimentation en combustible.

L'illustration suivante montre les dégagements Minimum (**MIN**) à partir d'une vue aérienne de la génératrice (**B**) vers les matériaux combustibles (**D**) et non combustibles (**A**).



- Ces distances sont données afin de procurer des directives reliées à l'emplacement de la génératrice relativement aux combustibles, au refroidissement de la génératrice et à l'entretien SEULEMENT.
- Les distances minimum sont indiquées sur l'illustration. Les quatre côtés de la génératrice ne peuvent être dans un espace fermés ou limités, même si les distances minimum sont respectées. NE connectez PAS (**A**) et/ou (**D**) à (**E**).
- Un toit ne peut être installé.

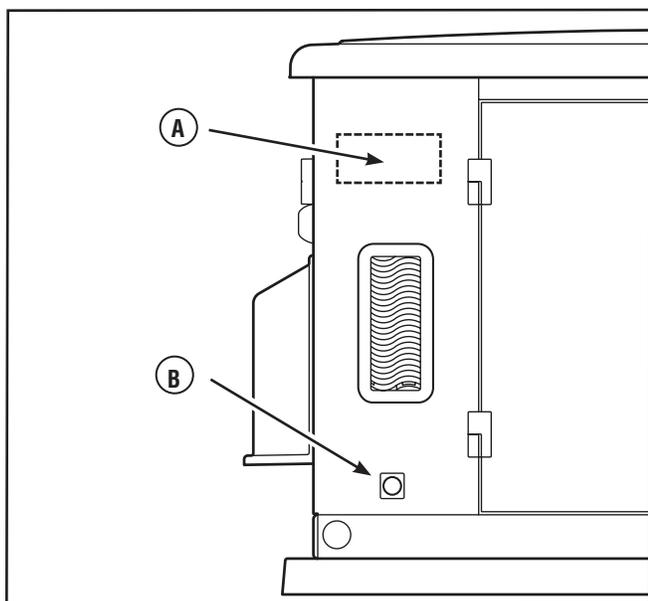
- Il ne faut pas que le gaz d'échappement (C) s'accumule. Consultez les *Règles de sécurité* au sujet du monoxyde de carbone.

Le générateur d'état d'attente a été fixé à son berceau de montage avant l'expédition. Sauf si stipulé par un code local, aucune dalle en béton n'est nécessaire.

Si le code local exige une telle dalle, coulez une dalle de béton mesurant au moins 3 pouces (7,5 cm) d'épaisseur et six pouces plus long et plus large que l'unité elle-même. À l'aide de boulons d'ancrage de maçonnerie de 1/4 po (0,64 cm) de diamètre (au minimum) et suffisamment longs pour retenir l'unité, fixez l'unité à la dalle.

Dimensions pour l'Admission du Combustible et l'Entrée Électrique

Le connecteur d'entrée de combustible (B) est illustré ci-dessous. La figure présente également l'emplacement recommandé (A) pour les trous de poinçon pour la fixation des conduits d'alimentation.



Soulèvement de la Génératrice

La générateur pèse plus de 650 livres (300 kg). Il faut utiliser des outils et de l'équipement appropriés et recourir à un personnel qualifié pour chacune des phases de manipulation et de déplacement de l'unité.

⚠ AVERTISSEMENT



Tension dangereuse

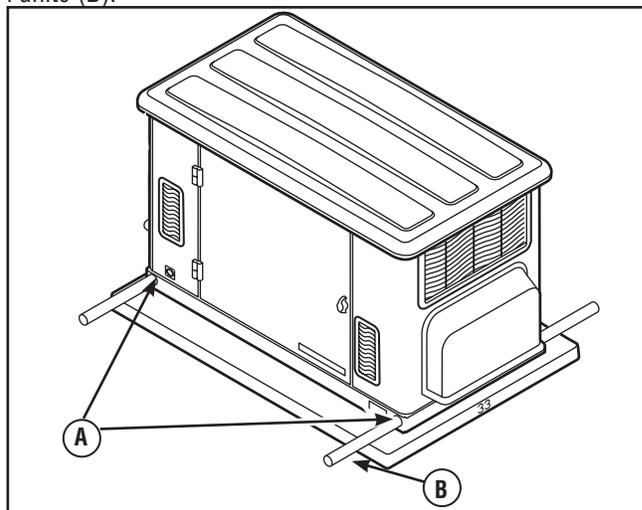
Tout contact avec les lignes d'électricité peut causer un choc électrique ou des brûlures.

Risque de levage/Objet lourd

Peut entraîner un claquage musculaire ou des blessures au dos.

- Si vous utilisez un appareil de levage, prenez garde de NE PAS toucher aux lignes d'électricité.
- NE soulevez ni ne déplacez PAS la générateur sans aide.
- Utilisez les tuyaux de levage tel que décrit dans la section *Levage de la générateur*. L'unité peut glisser sur les tuyaux de levage lors du déplacement et ainsi causer des blessures.
- NE soulevez PAS l'unité par sa partie supérieure car cela endommagera la générateur.

Pour soulever la générateur de façon manuelle, il faut deux tuyaux (A) de 4 pieds (122 cm) de longueur et de 1 pouce (2,54 cm) de diamètre (fournis par l'installateur). Insérez les tuyaux à travers les trous de levage situés près de la base de l'unité (B).



Vous pouvez également soulever l'unité à l'aide d'un crochet ou d'un palan fixé aux tuyaux de levage, en autant qu'une barre d'écartement soit utilisée pour s'assurer que les chaînes ou les câbles soient dégagés du toit de la générateur.

Lorsque l'unité est en place, bouchez les trous de levage à l'aide des bouchons de châssis qui sont fournis.

Portes d'Accès

Le groupe électrogène est muni d'un boîtier possédant trois portes d'accès, tel que montré ci-dessus. Chaque porte est identifiée par un élément important qui se trouve derrière celle-ci, comme suit :

- A Porte d'accès au tableau de commande
- B Orifice d'admission de combustible (illustré pour référence)
- C Porte de remplissage d'huile
- D Porte de vidange d'huile
- E Orifice d'échappement (illustré pour référence)

⚠ AVERTISSEMENT



Tout contact avec la zone du silencieux peut causer des brûlures graves.

- NE touchez PAS aux pièces chaudes et évitez le contact avec les gaz d'échappement.
- Laissez l'équipement refroidir avant de le toucher.

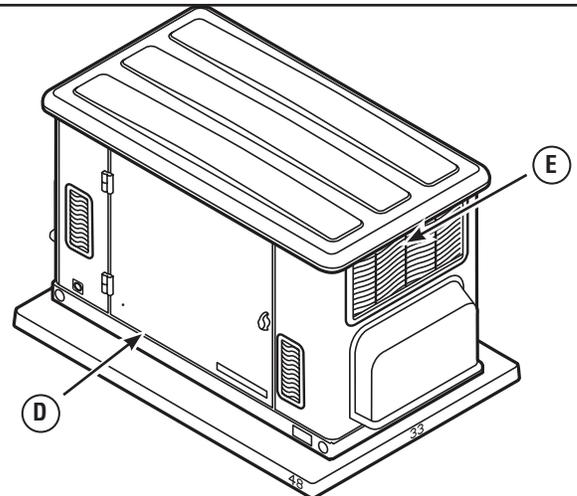
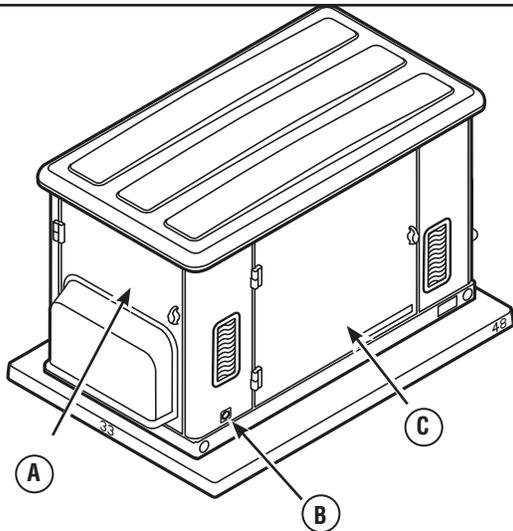
Chaque groupe électrogène résidentiel est muni de deux clés identiques. Ces clés s'adaptent aux serrures qui verrouillent les portes d'accès.

Pour ouvrir une porte d'accès :

1. Insérez une des clés dans la serrure de la porte d'accès que vous souhaitez ouvrir et tournez la clé d'un quart de tour dans le sens antihoraire.
2. Saisissez la poignée de la porte et tournez-la d'un quart de tour dans le sens antihoraire pour l'ouvrir. Retirez la clé.

Pour fermer une porte d'accès :

1. Fermez la porte et tournez la poignée de la porte d'un quart de tour dans le sens horaire.
2. Insérez une des clés dans la serrure de la porte d'accès et tournez la clé d'un quart de tour dans le sens horaire. Retirez la clé.



Le système de combustible gazeux

⚠ AVERTISSEMENT



Le gaz propane et le gaz naturel sont extrêmement inflammables et explosifs.



Le feu ou l'explosion risque de provoquer des blessures graves, pouvant être fatales.

- Le gaz de pétrole liquéfié est plus lourd que l'air et s'accumule près du sol.
- Le gaz naturel est plus léger que l'air et s'accumule en hauteur.
- Même la plus petite étincelle peut enflammer ces combustibles et causer une explosion.
- N'allumez PAS de cigarette ou ne fumez pas à proximité de l'appareil.

Les renseignements ci-dessous aideront les techniciens en systèmes de combustible gazeux à concevoir les installations. Ces renseignements ne doivent en aucun cas être interprétés de façon à aller à l'encontre des codes applicables aux combustibles gazeux. Si vous avez des questions ou des problèmes, consultez votre fournisseur de combustible local ou votre chef des pompiers.

À L'INSTALLATEUR: Avant d'appliquer ces consignes générales, consultez le propriétaire du groupe électrogène et soulevez toute considération technique qui pourrait influencer sur ses plans d'installation.

Les règles générales suivantes s'appliquent à la tuyauterie utilisée dans les systèmes de combustible gazeux.

- La tuyauterie doit être fabriquée d'un matériau conforme aux codes de sécurité fédéraux et locaux; elle doit être fixée solidement et protégée contre les vibrations.
- La tuyauterie doit être protégée contre les dommages physiques aux endroits où elle traverse les massifs de fleurs, les massifs d'arbustes ainsi que les autres surfaces cultivées susceptibles de subir des dommages.

- Installez les tuyaux flexibles pour combustibles (fournis) entre l'orifice d'admission de combustible du groupe électrogène résidentiel et la tuyauterie rigide afin d'empêcher l'expansion thermique ou la contraction de causer une contrainte excessive aux matériaux de la tuyauterie.

REMARQUE : Lorsque les conditions locales impliquent des tremblements de terre, des tornades, un sol instable ou des risques d'inondation, des considérations spéciales doivent être apportées afin d'augmenter la force et la flexibilité des supports et des raccordements de la tuyauterie.

▲ ATTENTION
Le connecteur ne doit pas être installé sous terre ou être en contact avec la sol.
<ul style="list-style-type: none"> • Il faut que toute la longueur du connecteur flexible soit visible pour l'inspection régulière et celui-ci ne doit être enfermé, être en contact ou traverser un mur, un plancher ou une cloison.

- La tuyauterie doit être de la bonne dimension afin de maintenir les pressions d'alimentation ainsi que le débit volumétrique nécessaires sous les diverses conditions de la génératrice alors que tous les appareils au gaz sont reliés au système d'alimentation et en fonctionnement.
- Afin de réduire la possibilité de fuites, utilisez un scellant ou un composé approuvé pour joints de tuyauterie sur tous les raccords à visser.
- Conformément aux codes et aux normes applicables, la tuyauterie installée doit être adéquatement purgée et testée pour son étanchéité.

▲ AVERTISSEMENT	
	Le gaz propane et le gaz naturel sont extrêmement inflammables et explosifs.
	Le feu ou l'explosion risque de provoquer des blessures graves, pouvant être fatales.
<ul style="list-style-type: none"> • Avant de mettre en service le groupe électrogène, il faut purger adéquatement les lignes d'alimentation de combustible et les tester pour les fuites. • Aucune fuite ne peut être tolérée. 	

Tenez compte des facteurs suivants lorsque vous planifiez l'installation du système d'alimentation en combustible:

En ce qui a trait aux systèmes bi-énergie inviolables, le moteur du groupe électrogène est conçu avec un système de carburation du combustible qui satisfait aux spécifications de la California Air Resources Board. L'unité fonctionnera avec le gaz naturel ou le propane liquéfié.

- Au moins un robinet de fermeture manuelle approuvé doit être installé sur la ligne d'alimentation en combustible à l'intérieur de 1,8 m (6 pi) du groupe électrogène résidentiel. Un raccord union ou un raccord

à brides doit être installé en aval de sorte à permettre le retrait des commandes.

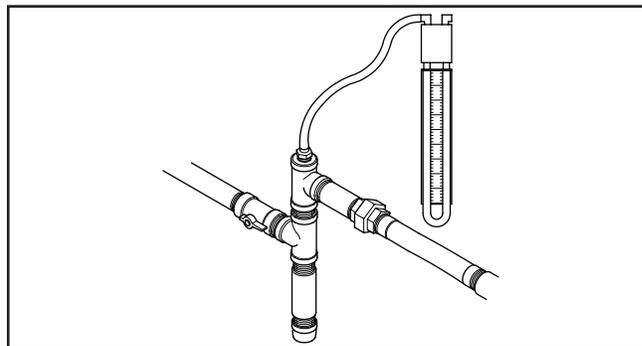
- La pression de ravitaillement en gaz naturel à l'orifice d'alimentation de combustible de la génératrice devrait se situer entre 5 et 7 pouces d'eau (po W.C.) à pleine capacité.
- La pression de ravitaillement en pétrole liquéfié devrait se situer entre 11 et 14 pouces d'eau (po W.C.) à pleine capacité.

Le groupe électrogène a été réglé en usine pour fonctionner au gaz naturel ou au gaz PL. L'unité ne peut être convertie du gaz naturel au gaz PL ou vice versa.

Il est recommandé que le raccord du combustible inclut les pièces suivantes:

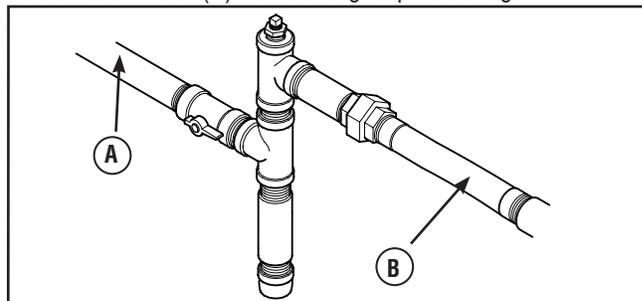
- Un robinet de fermeture manuelle du carburant situé à l'intérieur de l'édifice.
- Un robinet de fermeture manuelle du combustible situé à l'extérieur de l'édifice, juste avant la génératrice.
- La tuyauterie doit être protégée contre le gel dans les régions propices à la formation d'hydrates ou de glace. La terminaison de la tuyauterie rigide devrait inclure une trappe à sédiments dans les régions où le condensat ne gèle habituellement pas.
- Il faudrait inclure une sortie pour manomètre.

La sortie pour manomètre permet l'installation temporaire d'un manomètre. Afin de s'assurer que le moteur reçoit la pression de carburant adéquate pour fonctionner efficacement dans l'ensemble de sa plage de fonctionnement.



REMARQUE: Un manomètre numérique, no de pièce 19495, est disponible à votre centre de service local.

Lorsque la série initiale d'essais est complétée, le manomètre est enlevé et la sortie bouchée. Voici un assemblage typique de raccord de combustible, où (A) représente l'alimentation de combustible et (B) va vers le groupe électrogène.



Consommation de Combustible

Les exigences en matière d'alimentation en combustible à demi charge et à pleine charge pour le gaz naturel et la vapeur de PL sont indiquées ci-dessous.

	Gas Naturel		Vapeur PL	
	1/2 Charge	Pleine charge	1/2 Charge	Pleine charge
18kW	160 C	293 C	N/A	N/A
	160,000 B	293,000 B	N/A	N/A
20kW	N/A	N/A	70.4 C	141.5 C
	N/A	N/A	176,825 B	353,650 B

C = en pieds cubes par heure (PCH)
B = BTU par heure

Grosueur du Tuyau de Combustible

Les tableaux suivants indiquent la capacité maximum du tuyau en pieds cubes de gaz par heure pour des pressions de gaz de 0,5 psi ou moins et une colonne d'eau à chute de pression de 0,3 po. La densité des gaz y est indiquée.

Les valeurs indiquées compensent pour une quantité nominale de restrictions causées par les lyres de dilatation, les joints, etc. Si la tuyauterie comporte une quantité anormalement élevée de joints, de lyres de dilatation ou d'autres restrictions, reportez-vous aux codes fédéraux et locaux.

NPT	10ft	15ft	20ft	30ft	40ft	50ft	60ft	70ft	80ft	90ft	100ft
3/4"	346	293	240	192	163	145	132	120	113	106	99
1"	653	549	446	360	307	274	250	230	211	197	187

Dimensions du tuyau de gaz naturel – Tableau de débit du gaz, en pieds cubes par heure, densité=0,65

NPT	10ft	15ft	20ft	30ft	40ft	50ft	60ft	70ft	80ft	90ft	100ft
3/4"	277	192	158	126	107	95	87	79	74	69	65
1"	428	360	293	236	202	180	164	151	139	129	123

Dimensions du tuyau de gaz propane liquide (PL) – Tableau de débit du gaz, en pieds cubes par heure, densité=1,50

Dimension du Réservoir de Propane Nécessaire

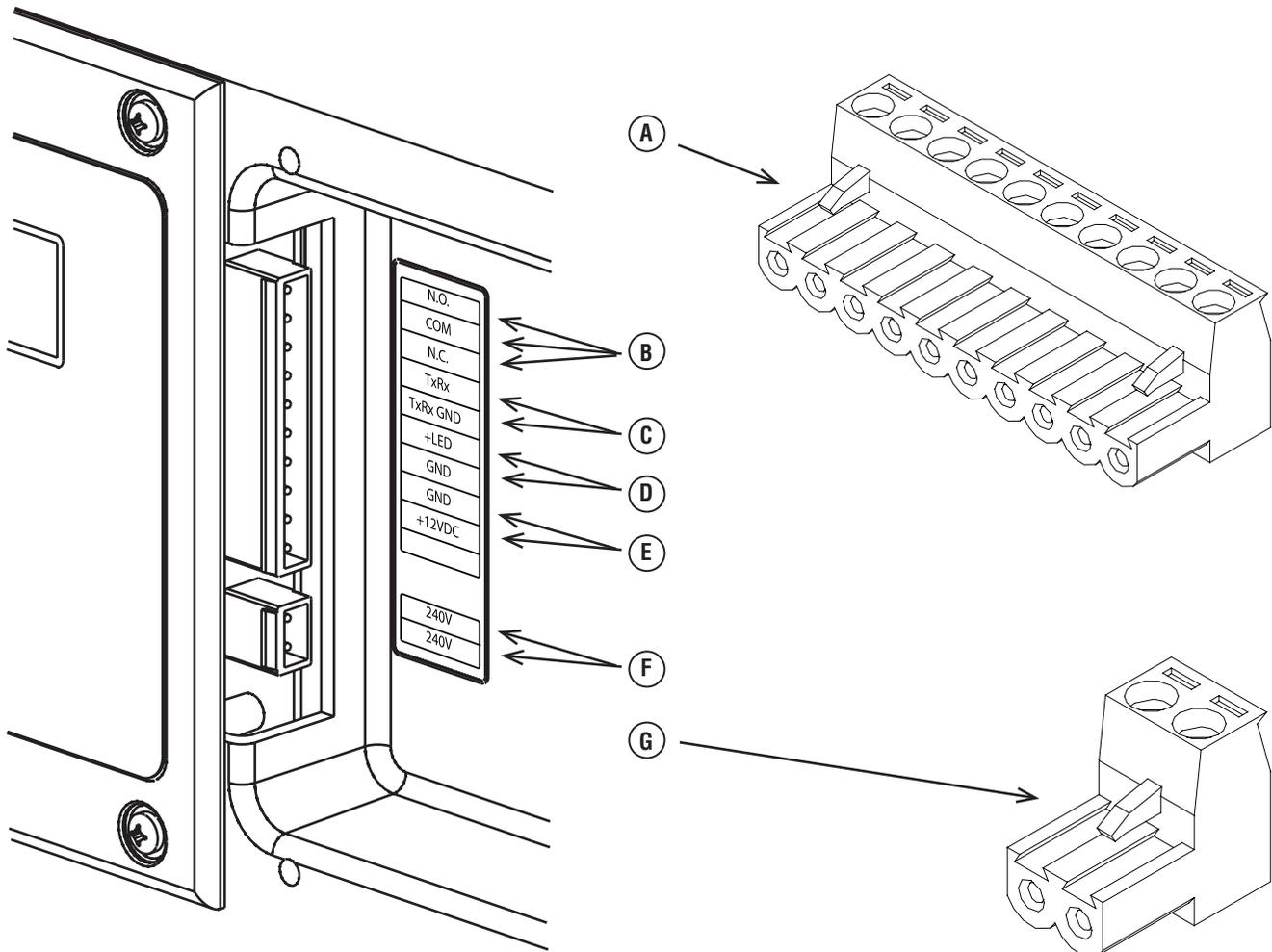
En tenant compte du débit de soutirage du gaz et de la température moyenne la plus froide en hiver, un installateur peut spécifier la dimension requise du réservoir de stockage de pétrole liquéfié:

Débit de soutirage (en pieds cubes par heure, PCH)	32° F	20° F	10° F	0° F	-10° F	-30° F	-40° F
50 PCH	115	115	115	250	250	400	600
100 PCH	250	250	250	400	500	1000	1500
150 PCH	300	400	500	500	1000	1500	2500
200 PCH	400	500	750	1000	1200	2000	2500
300 PCH	750	1000	1500	2000	2500	4000	5000

Propriétés physiques	Propane	Gas naturel
État atmosphérique normal	Gas	Gas
Point d'ébullition (en °F): Initial Final	-44 -44	-259 -259
Valeur calorifique : Btu par gallon (LHV net*) Btu par gallon (Brut**) Pieds cubes (Gaz)	83,340 91,547 2,500	63,310 1,000
Densité***	36.39	57.75
Poids†	4.24	2.65
Octane Number: Recherche Moteur	110+ 97	110+
<p>* PCI (Pouvoir calorifique inférieur) est la valeur nominale la plus réaliste. ** Le pouvoir calorifique supérieur ne tient pas compte de la perte de chaleur sous forme d'eau lors de la combustion. *** La densité est indiquée en "Pieds cubes de gaz par gallon de liquide". † Le poids est indiqué en "Livres par gallon de liquide".</p>		

Connexions de système

Sauf pour la puissance de sortie et les connecteurs de masse, tous les câbles de signaux sont branchés à des fiches de connexion à 2 ou à 10 broches. Comparez cette illustration à votre génératrice afin de vous familiariser avec l'emplacement des connexions importantes suivantes :



A - Branchement de la prise à deux pôles :

B - Contacts de défaillance — Utilisez les bornes NO, COM et NC pour raccorder une alarme, un voyant, etc. pour vous alerter en cas de défaillance. Les contacts changent d'état lors d'une condition de défaillance.

C - Communication du commutateur de transfert — Utilisez TxRx et TxRx GND pour le commutateur de transfert et le StatStation™ sans fil en option pour surveiller les fonctions de la génératrice.

D - Sortie de panneau DEL à distance — Utilisez cette sortie pour raccorder le panneau DEL à distance supplémentaire fourni avec la génératrice. Si certains problèmes sont détectés dans la génératrice, le panneau DEL à distance clignotera un certain nombre de fois.

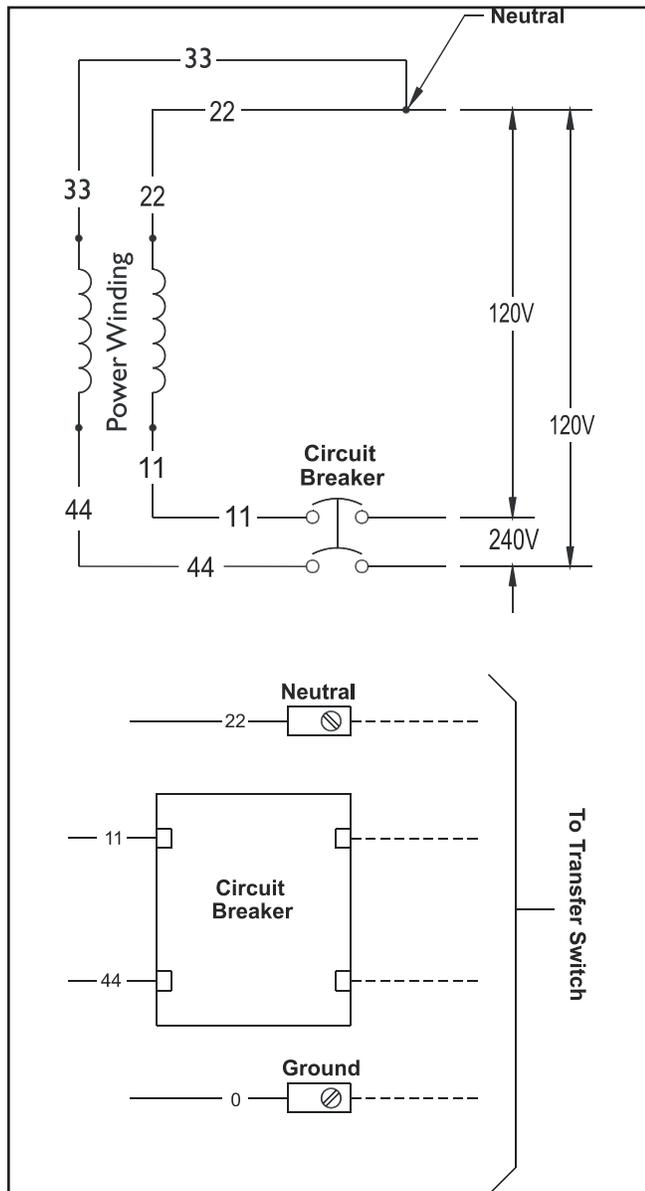
E - Prise de +12 volts C.C., 5 ampères — Alimentation interne.

F - Alimentation de service de 240 volts — Utilisez pour raccorder les fils de service du commutateur de transfert à la génératrice.

G - Branchement de la prise à dix pôles

Système de Branchement C.A. de la Génératrice

Un système de branchement C.A. monophasé à trois fils est utilisé pour le groupe électrogène. L'assemblage du stator est constitué d'une paire de bobines stationnaires à deux bornes sortant de chaque bobine. La jonction des fils 22 et 33 forme le fil neutre, tel qu'illustré au moyen du dessin et du schéma de câblage suivant. Vous trouverez un dessin et un schéma de câblage dans le manuel de listes de pièces illustrées.



REMARQUE: Le neutre n'est pas raccordé à la terre au niveau de la génératrice.

Mise à la Masse de la Génératrice

Le groupe électrogène résidentiel doit être mis à la masse en conformité avec tous les codes, normes et réglementations applicables. La languette de contact de mise à la masse (GND) de la génératrice est située dans le panneau de commande de la génératrice, sous le couvercle des disjoncteurs.

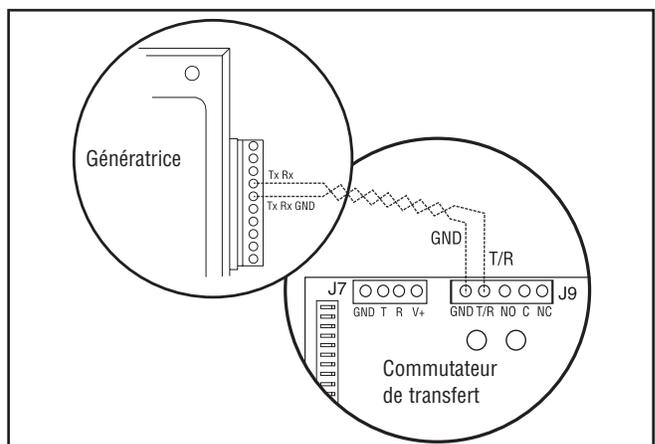
Interconnexions du Circuit de Commande

Des fils de 240 V doivent être passés dans le conduit. L'alimentation de 240 V procure l'alimentation de service à la carte de circuit de la génératrice, la batterie en option et le chauffe-huile, recharge la batterie et la génératrice démarre en cas de panne électrique.

À l'aide du connecteur à 2 pôles fourni et d'un fil de cuivre d'au moins 300 V, 14 AWG, fourni par l'installateur, raccordez chaque terminal du circuit de la génératrice de commande au commutateur de transfert automatique.

Communication du commutateur de transfert

En utilisant deux conducteurs torsadés de 18 AWG, pas plus de 60 m (200 pieds) de long, raccordez Tx Rx et la mise à la terre Tx Rx à partir du panneau de commande de la génératrice aux bornes GND et T/R du module de commande du commutateur de transfert.



Système de Détection des Pannes

Le tableau de commande de la génératrice est doté d'un affichage numérique pour indiquer les codes de défaillance. Il affiche un code de défaillance lorsque certaines défaillances sont décelées dans le groupe électrogène. Une autre DEL et une plaque de montage sont fournies pour leur installation à l'intérieur dans un endroit pratique. Pour obtenir des renseignements plus détaillés, consultez la section *Système de détection des pannes* du Manuel d'utilisation.

Si certains problèmes sont détectés dans le groupe électrogène, le voyant clignotera un certain nombre de fois. Elles permettent au propriétaire d'observer l'état du groupe électrogène. Consultez le propriétaire pour convenir d'un endroit pratique. Pour installer le panneau DEL à distance du groupe électrogène :

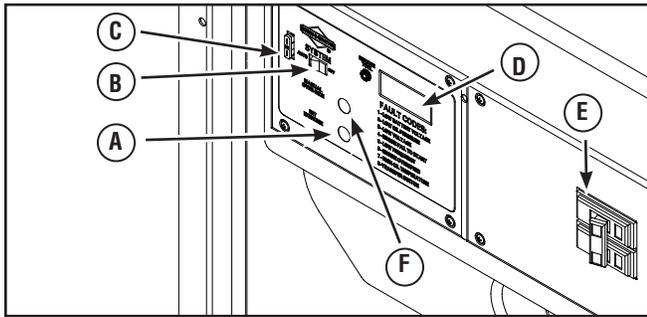
1. Poussez la DEL à travers la plaque de montage par l'avant jusqu'à ce qu'elle se fixe d'un coup sec.

IMPORTANT: Le voyant DEL est sensible à la polarité.

2. À l'aide du connecteur à 10 pôles fourni et d'un fil de calibre minimal de 18 AWG fourni par l'installateur, branchez la DEL à distance au tableau de commande de la génératrice. Utilisez des serre-fils pour raccorder le fil aux conducteurs de la DEL.
3. Fixez la plaque de montage au coffret électrique à faible tension fourni par l'installateur.

Tableau de Commande du Système

Le tableau de commande du groupe électrogène, situé à l'intérieur du bâti de la génératrice, est illustré ci-dessous.



Voici une brève description des commandes utilisées durant l'installation :

- A – Régler l'interrupteur d'exercice — Utilisé pour régler le cycle d'exercice.
- B – Interrupteur du système — Bascule entre les modes OFF et AUTO.
- C - Fusible de 15 ampères — Protège les circuits de commande c.c.
- D – Écran numérique — Affiche le temps de fonctionnement et les codes de défaillance.
- E - Disjoncteur — Doit à être à ON pour alimenter le commutateur de transfert.
- F - Interrupteur de surpassement manuel — Met la génératrice en marche ou l'arrête.

De plus amples renseignements sont disponibles sous la section *Commandes* du Manuel d'utilisation.

Interrupteur de système

L'interrupteur de système constitue la commande la plus importante de la génératrice. Dans le présent document, ce dispositif à deux positions et s'utilise comme suit:

- La position normale de fonctionnement est la position "AUTO". Si une panne d'électricité est détectée, le système démarrera la génératrice. Lorsque l'électricité est rétablie, laissez le moteur stabiliser les températures internes, fermez la génératrice et attendez la prochaine panne d'électricité.
- La position "OFF" ferme la génératrice quand elle fonctionne, ce qui empêche l'unité de démarrer et de remettre à zéro toute détection de panne.

Fusible de 15 Ampères

Le circuit de commande C.C. du groupe électrogène est protégé des surcharges par un fusible de 15 Ampères installé dans le panneau électrique de la génératrice. Le fusible est branché en série avec le fil de sortie de la batterie vers le panneau électrique. Si le fusible est grillé (fondu ou ouvert) ou est enlevé, le moteur ne peut être lancé ou démarrer. Remplacez le fusible grillé uniquement par un fusible ATO identique de 15 A.

Considérations pour l'installation finale

Huile à Moteur

AVIS

Toute tentative de démarrer le moteur sans qu'il ait été rempli avec l'huile recommandée entraînera une panne de l'équipement.

- Reportez-vous au manuel d'utilisation du moteur au sujet de l'huile et du combustible.
- La garantie sera annulée si des dommages à l'équipement sont entraînés par le manquement à se conformer à cette directive.

Ce moteur a été testé en usine et est livré rempli d'huile synthétique (API SJ/CF 5W-30W). Cela permet au système de fonctionner dans une plage élargie de températures et de conditions climatiques. Avant de démarrer le moteur, vérifiez le niveau d'huile et assurez-vous que le moteur a subi l'entretien décrit dans le Manuel d'utilisation du moteur.

REMARQUE: L'utilisation de l'huile synthétique **ne** modifie aucunement les intervalles de changement d'huile recommandés dans le manuel d'moteur.

Batterie

Le groupe électrogène est livré avec une batterie de 12 volts C.C., de type AGM, 55 ampères-heures, à soupape régulatrice. C'est une batterie rechargeable scellée avec accumulateurs au plomb. Elle est installée dans l'unité, et ses câbles sont branchés en usine. Le fusible de 15 Ampères de l'unité, lequel isole la batterie et empêche le démarrage de l'unité, a été enlevé pour fins d'expédition. La batterie qui perd une partie de sa charge avant l'installation de la génératrice. Si la tension de la batterie est inférieure à 12 volts, rechargez-la batterie. Consultez la rubrique *Batterie* sous la section *Entretien* du Manuel d'utilisation pour de plus amples détails.

IMPORTANT: Si la tension de la batterie est inférieure à 5 volts, il est possible qu'elle se ne charge pas et que vous ayez besoin d'une autre batterie.

Système d'Alimentation en Combustible

Assurez-vous que tous les raccords du tuyau de combustible sont fermement serrés et fixés et qu'il n'y a pas de fuite.

Assurez-vous que tous les robinets de fermeture de la canalisation de gaz sont en position "OPEN" et qu'une pression de combustible adéquate est disponible.

Démarrage initial (sans charge)

Avant d'utiliser ou de mettre en service le groupe électrogène, vérifiez avec soins l'ensemble de l'installation.

Commencez ensuite des essais du système sans aucun branchement de charges électriques, tel qu'indiqué ci-dessous :

1. Réglez le disjoncteur principal de la génératrice sur sa position ON.
2. **Installez le fusible de 15 Ampères dans le panneau électrique.**
3. Réglez l'interrupteur de système de la génératrice sur AUTO.
4. Poussez de nouveau sur l'interrupteur de surpassement manuel sur le tableau de commande (**MANUAL OVER-RIDE**). Le moteur devrait s'arrêter.

REMARQUE: Pour le démarrage initial du groupe électrogène, il faut purger l'air contenue dans les canalisations de combustible. Cela peut nécessiter quelques minutes.

5. NE démarrez PAS le moteur pendant plus de 10 secondes; prenez une pause de 10 secondes pour réduire la chaleur dans le démarreur.
6. Recommencez le processus jusqu'à ce que le moteur démarre.
7. Écoutez s'il y a des bruits ou vibrations inhabituels et soyez attentif à tout signe de fonctionnement anormal. Vérifiez s'il y a des fuites d'huile pendant que la génératrice fonctionne.
8. Laissez le moteur se réchauffer durant cinq minutes environ afin de permettre à sa température interne de se stabiliser.
9. Branchez un voltmètre C.A. précis et un fréquencemètre pour vérifier la tension de sortie de la génératrice sur les languettes de contact emergency/generator connection du commutateur de transfert. La tension devrait être de 239 à 262 volts, et la fréquence devrait être de 62,0 à 62,5 Hz.

REMARQUE: Si un de ces paramètres est à l'extérieur de ces plages, effectuez les réglage du moteur.

10. Vérifiez la tension de sortie de la génératrice entre une des languettes de contact generator connection et la languette de contact neutre, puis entre l'autre languette de contact de la generator connection et la languette de contact neutre. Dans les deux cas, la lecture de la tension de sortie devrait se situer entre 119 et 131 volts.
11. Poussez et tenir l'interrupteur de surpassement manuel sur le tableau de commande (**MANUAL OVER-RIDE**) jusqu' aux arrêts de moteur.

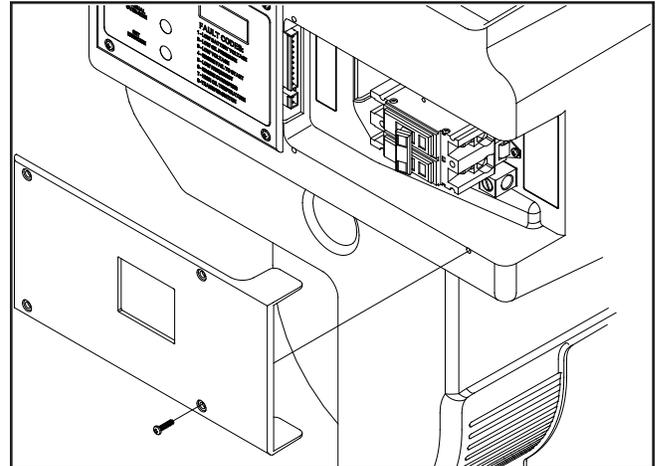
IMPORTANT: NE PAS procéder avant d'être certain que la tension C.A. et la fréquence de la génératrice sont conformes et se trouvent dans les limites stipulées. Pour obtenir la fréquence appropriée de la génératrice, voir *Réglages du Moteur*.

Réglage du Moteur

Il est bien connu que la combustibilité du gaz naturel varie d'une région à l'autre. Chaque unité est réglée en usine pour fonctionner adéquatement avec le gaz naturel. Si la tension de sortie ou la fréquence de la génératrice mesurée au cours de la *Vérification électrique initiale* (paragraphe 9) s'écarte des plages indiquées, il se peut que la combustibilité du gaz fourni au site de l'installation soit très différente.

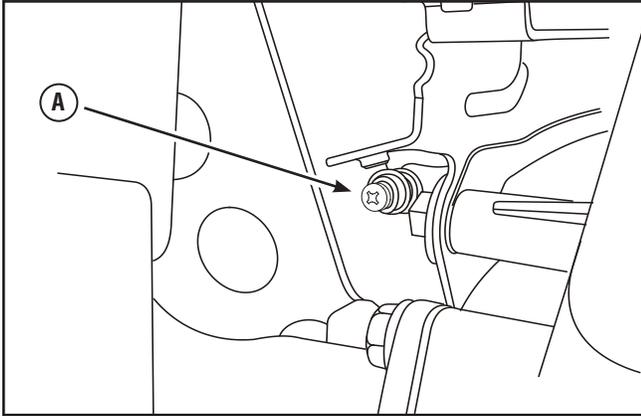
Pour régler le moteur en fonction de ce combustible différent, procédez comme suit:

1. Ouvrez les portes d'accès de vidange d'huile et du tableau de commande.
2. Enlevez les quatre vis qui retiennent le couvercle des disjoncteurs au capot de l'entrée d'air.



3. Branchez un fréquencemètre précis du côté charge du disjoncteur principal de la génératrice.
4. Assurez-vous que le fusible de 15 Ampères est en place.
5. Réglez le disjoncteur principal de la génératrice sur **ON**.
6. Réglez l'interrupteur de système de la génératrice sur **AUTO**.
7. Poussez l'interrupteur de surpassement manuel sur le tableau de commande. Lorsque le moteur démarre, laissez-le se réchauffer durant cinq minutes.

8. La fréquence sans charge normale est de 62,0 à 62,5 Hz. Si des réglages doivent être apportés pour le fonctionnement sans charge, tournez lentement l'vis de réglage du régulateur (A) dans le sens horaire et/ou antihoraire jusqu'à ce que la fréquence soit entre 62,0 et 62,5 Hz.



9. Poussez et tenir l'interrupteur de surpassement manuel sur le tableau de commande jusqu' aux arrêts de moteur.
10. Mettez hors tension l'interrupteur de l'alimentation de service vers le commutateur de transfert. Le commutateur de transfert se branchera à la génératrice après un court délai.

11. Chargez la génératrice à la charge maximum.
12. Branchez un fréquencemètre précis du côté charge du disjoncteur principal de la génératrice. La fréquence devrait être supérieure à 57,0 Hz.
13. Si la fréquence est inférieure à 57,0 Hz, tournez lentement la vis de réglage du régulateur dans le sens horaire jusqu'à ce qu'elle dépasse 57,0 Hz.
14. Mettez sous tension l'interrupteur de l'alimentation de service vers le commutateur de transfert. Le commutateur de transfert se branchera à l'alimentation de service après un court délai.
15. Lorsque le moteur est arrêté,
- Qu'un réglage a été effectué à l'étape 13, effectuez de nouveau les étapes 3 à 9.
 - Si un réglage n'a pas été effectué à l'étape 13, passez à l'étape 16.

IMPORTANT : Si la fréquence sans charge chute en deçà du paramètre sans charge après qu'un réglage de pleine charge est effectué, communiquez avec un centre de service autorisé.

16. Réinstallez le couvercle des disjoncteurs sur le capot de l'entrée d'air.
17. Fermez les portes d'accès de remplissage d'huile et du tableau de commande.

Commandes

Toutes les commandes du système de génératrice sont décrites en détail dans le manuel de l'utilisateur. Veuillez vous y référer pour obtenir de l'information plus complète.

Fonctionnement

Séquence de fonctionnement automatique

Le panneau électrique de la génératrice contient une carte de circuit logique de commande. Ce tableau de commande contrôle constamment la tension de l'électricité de service. Si cette tension baisse sous un niveau prédéfini, le tableau de commande signalera le lancement et le démarrage du moteur.

Lorsque la tension de service est rétablie au-delà d'un niveau de tension préétabli, le moteur reçoit un signal d'arrêt.

Le fonctionnement actuel du système ne peut être modifié, et il est séquencé par des capteurs et des minuteries du tableau de commande de la manière suivante:

Capteur de Désexcitation de la Tension de l'Alimentation de Service

- Ce capteur contrôle la tension de l'alimentation de service.
- Si la tension baisse sous 70% de la tension d'alimentation nominale, le capteur amorce un décompte de 10 secondes. Le décompte sert à identifier les pannes de courant localisées.
- Lorsque le décompte est expiré, le moteur est lancé et démarre.

Capteur de Prise en Charge de la Tension de Service

Ce capteur supervise la tension d'alimentation de service. Lorsque cette tension est rétablie à 80 pour cent de la tension nominale source, un délai est déclenché et le moteur entrera en mode refroidissement du moteur.

Minuterie de Refroidissement du Moteur

- Lorsque la charge est transférée à nouveau à la source d'alimentation de service, la minuterie de refroidissement du moteur s'active.
- Environ une minute s'écoule avant l'arrêt de la génératrice.
- Le moteur tourne durant au moins 5 minutes.

Réglage de la minuterie de cycle d'exercice

Le groupe électrogène est muni d'une minuterie de cycle d'exercice qui se met en marche et vérifie le système sur une base hebdomadaire. Au cours de ce cycle d'exercice, l'unité fonctionne durant une douzaine de minutes, puis s'arrête. Le transfert de charge électrique N'A PAS lieu durant le cycle d'exercice (sauf si une panne de courant survient).

Un bouton du tableau de commande est étiqueté « Set Exercice » (voir *Tableau de commande du système*). Le jour et l'heure particuliers auxquels ce bouton est pressé sont programmés dans la mémoire du tableau de commande. Ce jour et cette heure sont alors utilisés pour initialiser automatiquement le cycle d'exercice du système. La légende « SET EXERCISE » du tableau de commande clignote jusqu'à ce que le cycle d'exercice soit réglé.

Pour exécuter la procédure de réglage de cycle d'exercice:

1. Choisissez le jour et l'heure à laquelle vous désirez que le cycle d'exercice du groupe électrogène ait lieu.
2. À cette journée et heure, appuyez et maintenez enfoncé l'interrupteur « Set Exercice » pendant trois secondes.

REMARQUE : La DEL clignote jusqu'à ce que l'interrupteur soit maintenu enfoncé pendant trois secondes, puis la DEL s'allume pendant 5 secondes et s'éteint.

Par exemple, si vous appuyez sur l'interrupteur de réglage du cycle d'exercice un dimanche à 10 h, l'unité exécutera un cycle d'exercice le dimanche suivant à 10 h.

REMARQUE: Le réglage du cycle d'exercice ne fonctionnera que si l'unité est en mode AUTO et que si la procédure exacte est suivie. Vous devrez reprogrammer le cycle d'exercice si vous enlevez ou remplacez le fusible de 15 A ou si la batterie de 12 volts C.C. est débranchée.

Si vous voulez changer le jour et l'heure du cycle d'exercice, vous n'avez qu'à exécuter à nouveau la procédure de "Réglage de Cycle d'Exercice" selon le jour et l'heure exacte à laquelle vous voulez que le cycle d'exercice ait lieu.

Vérification installation

Tout en procédant à la vérification, remplissez la liste de contrôle de l'installation. Assurez-vous que tous les éléments sont cochés et que toutes les signatures ont été obtenues. Indiquez au propriétaire qu'il doit poster la copie blanche à :

Briggs & Stratton Power Products

Warranty Registration

P. O. Box 239

Jefferson, Wisconsin 53549-0239

Vous trouverez des informations plus détaillées sur l'utilisation, l'entretien et le dépannage de la génératrice dans le Manuel d'utilisation.

